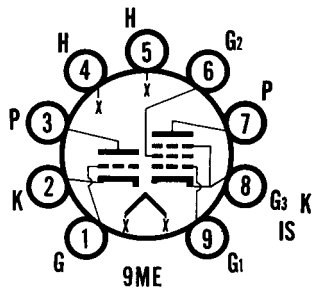




SYLVANIA TYPES 18HB8 35HB8



TRIODE-BEAM POWER AMPLIFIER

MECHANICAL DATA

Bulb.....	T-6 1/2
Base.....	E9-1, Miniature Button 9-Pin
Outline.....	JEDEC 6-3
Basing.....	9ME
Cathodes.....	Coated Unipotential
Mounting Position.....	Any

ELECTRICAL DATA

HEATER CHARACTERISTICS

	18HB8	35HB8
Heater Voltage ¹	18.0	35.0 Volts
Heater Current.....	300	150 Ma
Heater-Cathode Voltage (Design Max. Values)		
Heater Negative with Respect to Cathode		
Total D C and Peak.....	200	200 Volts Max.
Heater Positive with Respect to Cathode		
D C.....	100	100 Volts Max.
Total D C and Peak.....	200	200 Volts Max.

RATINGS (Design Maximum Values)

	Triode Section	Pentode Section
Plate Voltage.....	150	150 Volts Max.
Grid No. 2 Voltage.....	...	135 Volts Max.
Cathode Current.....	5	50 Ma Max.
Plate Dissipation.....	0.75	6.5 Watts Max.
Grid No. 2 Dissipation.....	...	1.5 Watts Max.
Grid Circuit Resistance		
Fixed Bias.....	...	0.1 Megohm Max.
Cathode Bias.....	...	0.47 Megohm Max.

CHARACTERISTICS AND TYPICAL OPERATION

	Triode Section	Pentode Section
Plate Voltage.....	115	115 Volts
Grid No. 2 Voltage.....	...	115 Volts
Peak AF Grid No. 1 Voltage.....	...	6.0 Volts
Cathode Resistor.....	410	150 Ohms
Zero-Signal Plate Current.....	2.5	33 Ma
Maximum-Signal Plate Current.....	...	32 Ma
Zero-Signal Grid No. 2 Current.....	...	7.5 Ma
Maximum-Signal Grid No. 2 Current.....	...	10 Ma
Transconductance.....	3900	6250 μ mhos
Amplification Factor.....	74	...
Load Resistance.....	...	3500 Ohms
Maximum-Signal Power Output.....	...	1.0 Watt
Total Harmonic Distortion (approx.).....	...	8 Percent

NOTE:

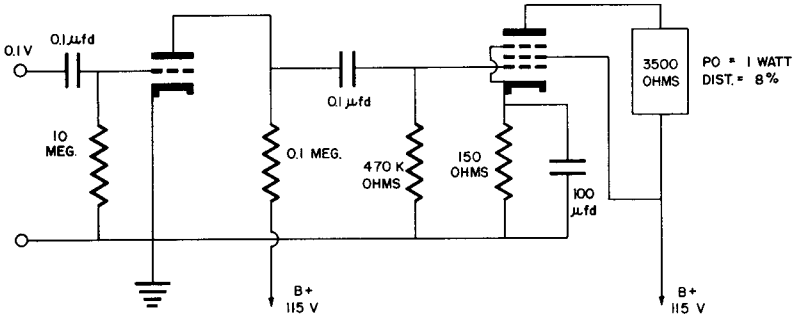
1. The heater should be connected with Pin No. 4 closest to the ground end of the heater string.

APPLICATION

The Sylvania Types 18HB8 and 35HB8 are miniature triode-pentodes designed for audio applications in stereo and monaural sound equipment.

SYLVANIA TYPES 18HB8 (Cont'd) 35HB8

FIGURE 1



D59014