

AMPEREX TUBE TYPE **0A2**

The 0A2 is a two electrode, inert gas filled, cold cathode tube for use in voltage regulator applications.

ELECTRICAL DATA

| | |
|--|----------------|
| Operating voltage (nominal) | 150 volts |
| Anode breakdown voltage with illumination of 50-500 ft. candles | 180 volts max. |
| Anode breakdown in complete darkness | 225 volts max. |
| Regulation (Plt. Current = 5-30 ma) | 6 volts max. |

MECHANICAL DATA

| | |
|-------------------------------|----------------------|
| Mounting position | any |
| Base (JETEC base designation) | 5B0, 7 pin miniature |
| Max. overall length | 2 5/8 inches |
| Max. diameter | 3/4 inch |

MAXIMUM RATINGS (absolute values)

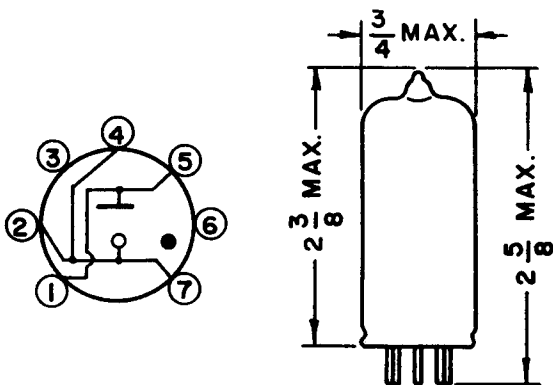
| | |
|--|--|
| Minimum D.C. anode supply voltage ¹ | 185 volts |
| Maximum average starting current | 75 ma |
| Maximum averaging time | 10 seconds |
| Maximum D.C. Cathode current | 30 ma |
| Minimum D.C. Cathode current | 5 ma |
| Maximum frequency ² | 0 cycles/sec. |
| Max. shunt capacitor ³ | 0.1 uf |
| Ambient temperature limits | -55 ^o to +90 ^o C |

¹ Supply voltage necessary to insure starting throughout tube life with an illumination of 50-500 foot candles.

² Tube used so that cathode cannot become positive and anode negative.

³ In order to prevent parasitic oscillation, the value of a capacitor in parallel with the tube should be limited to 0.1 uf.

0A2



- PIN NO. 1 = ANODE
- PIN NO. 2 = CATHODE
- PIN NO. 3 = INTERNALLY CONNECTED
- PIN NO. 4 = CATHODE
- PIN NO. 5 = ANODE
- PIN NO. 6 = INTERNALLY CONNECTED
- PIN NO. 7 = CATHODE

