

**8255 Programmable
Peripheral Interface
Applications**

*Alan Ebright
Microcomputer Applications*

8255 Programmable Peripheral Interface Applications

Contents

INTRODUCTION	1
OVERVIEW	1
8080 CPU MODULE INTERFACE	1
PERIPHERAL INTERFACE SECTION	3
INTERNAL LOGIC SECTION	4
Mode Definition	4
Bit Set/Reset	5
INTERRUPT CONTROL LOGIC STATUS WORDS	6
SOFTWARE CONSIDERATIONS	8
MODE 0 _ STATUS DRIVEN PERIPHERAL INTERFACE	10
8255 To Peripheral Hardware Interface	10
8080 CPU Module To 8255 Interface	10
Mode 0 Interface Software	12
Summary/Conclusions	13
MODE 1 _ INTERRUPT DRIVEN PRINTER INTERFACE	15
CPU Module To 8255 Interface	15
8255 To Peripheral Interface	15
Mode 1 Software Driver	16
Summary/Conclusions	17
MODE 2 _ 8080 TO 8080 INTERFACE	20
Hardware Discussion	20
Software Discussion	20
Summary/Conclusions	20
APPENDIX A _ 8255 QUICK REFERENCE	27

Related Intel Publications

"Intel 8080 Microcomputer Systems User's Manual"

"Memory Design Handbook"

"Using the 8251 Universal Synchronous/Asynchronous Receiver/Transmitter"

INTRODUCTION

Microprocessor-based system designs are a cost-effective solution to a wide variety of problems. When a system designer is presented with the task of selecting a microprocessor for a design, the capabilities of the microprocessor should not be the only consideration. The microprocessor should be an element of a compatible family of devices. The MCS-80 component family is a group of compatible devices which have been designed to directly address and solve the problems of microprocessor-based system design. One member of the MCS-80 component family is Intel's 8255 programmable peripheral interface chip. This device replaces a significant percentage of the logic required to support a variety of byte oriented Input/Output interfaces. Through the use of the 8255, the I/O interface design task is significantly simplified, the design flexibility is increased, and the number of components required is reduced.

This application note presents detailed design examples from both the hardware and software points of view. Since the 8255 is an extremely flexible device, it is impossible to list all of the applications and configurations of the device. A number of designs are presented which may be modified to fulfill specific user interface requirements.

Detailed design examples are discussed within the context of the 8080 system shown in Figure 1. The basic 8080 system is composed of the CPU module, memory module, and the I/O module. CPU module and memory module design are discussed

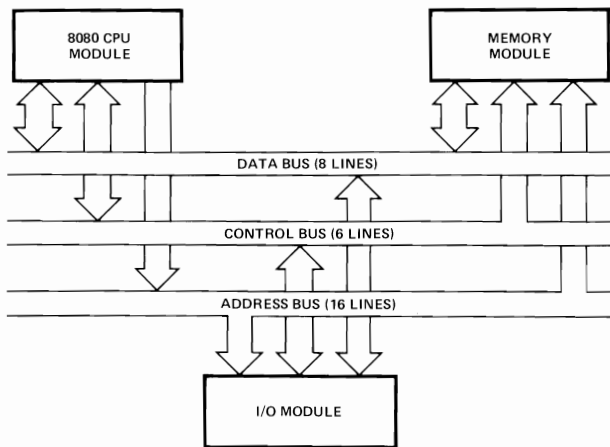


Figure 1. Typical 8080 System

within other Intel publications. This application note deals exclusively with I/O module design.

It is assumed that the reader is familiar with the "8080 Microcomputer Systems User's Manual", particularly the 8255 device description.

OVERVIEW OF THE 8255

The 8255 block diagram shown in Figure 2 has been divided into three sections: 8080 CPU Module Interface, Peripheral Interface, and the Internal Logic.

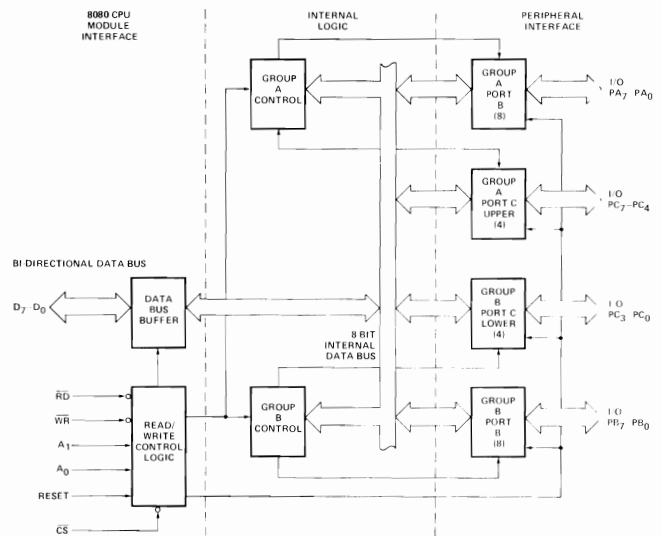


Figure 2. 8255 Block Diagram

8080 CPU MODULE INTERFACE

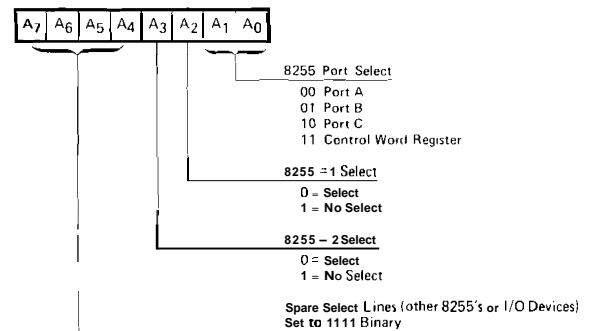
The 8255 is a compatible member of the MCS-80 component family and, therefore, may be directly interfaced to the 8080. Figure 3 displays one method of interconnecting the 8255 and an 8080 CPU module. The 8080 CPU module consists of the 8080A CPU, the 8224 Clock Generator, and the 8228 System Controller. The system shown in Figure 3 utilizes a linear select scheme which dedicates an address line as an exclusive enable (chip select) for each specific I/O device. The chip select signal is used to enable communication between the selected 8255 and the 8080 CPU. I/O Ports A, B, C or the Control Word Register are selected by the two port select signals (A_1 , A_0). These signals (A_1 and A_0) are driven by the least significant bits of the address bus. The I/O port select characters required by this configuration are shown in Figure 4.

When a system utilizing the linear select scheme is implemented, a maximum of six I/O devices may be selected. If more than six I/O devices must be addressed, the six device select bits must be encoded to generate a maximum of 64 device select lines. Note that when large systems are implemented, bus loading considerations may require that bus drivers be included in the CPU module. The MCS-80 component family contains parts which are designed to perform this function (8216, 8226).

The 8255 I/O read (\overline{RD}) and I/O write (\overline{WR}) signals may be directly driven by the 8228. This results in an isolated I/O architecture where 8080 Input/Output instructions are used to reference an independent I/O address space. An alternate approach is memory mapped I/O. This architecture treats an area of memory as the I/O address space. The memory mapped I/O architecture utilizes 8080 memory reference instructions to access the I/O address space. Interfacing with the 8080 is outlined in Chapter 3 of the "8080 Microcomputer User's Manual".

The most important feature of the 8255 to 8080 CPU Module Interface is that for small system designs the 8255 may be interfaced directly to the

standard MCS-80 component family with no external logic. Minimum external logic is required in large system designs.



Port Selected	Hexadecimal Port Select Character (Used with IN or OUT Instructions)
Port A 8255 =1	
Port B 8255 =1	
Port C 8255 =1	FA
Control Word Register 8255 =1	FB
Port A 8255 =2	F4
Port B 8255 =2	F5
Port C 8255 =2	F6
Control Word Register 8255 =2	F7

Figure 4. I/O Port Select Characters

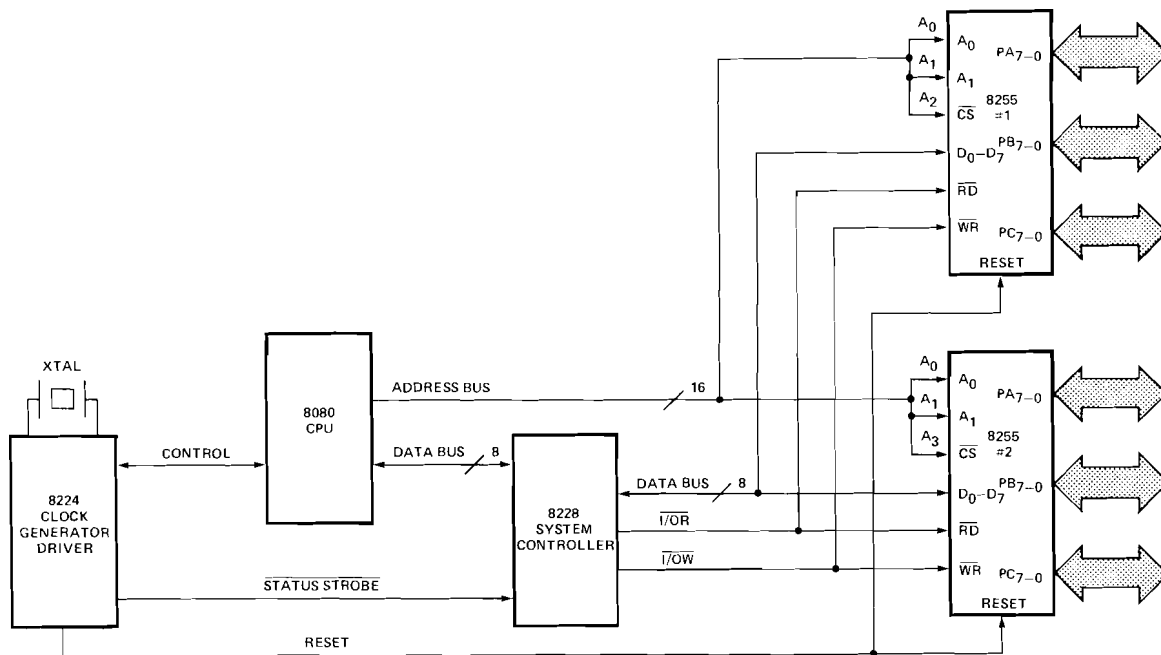


Figure 3. Linear Select 8255 Interconnect

PERIPHERAL INTERFACE SECTION

The peripheral interface section contains 24 peripheral interface lines, buffers, and control logic. The characteristics and functions of the interface lines are determined by the operating mode selected under program control. The flexibility of the 8255 is due to the fact that the device is programmable. Three modes of operation may be selected under program control: Mode 0 – Basic Input/Output, Mode 1 – Strobed Input/Output with interrupt support, and Mode 2 – Bidirectional bus with interrupt support. Through selecting the correct operating mode, the interface lines may be configured to fulfill specific interface requirements. The characteristics of the interface lines within each mode must be understood so that the designer may utilize the 8255 to achieve the most efficient design. Table I lists the basic features of the peripheral interface lines within each mode group. Figure 5 shows the grouping of the peripheral interface lines within each mode.

Table I. Features of Peripheral Interface Lines

Mode 0 – Basic Input/Output
Two 8-bit ports
Two 4-bit ports with bit set/reset capability
Outputs are latched
Inputs are not latched
Mode 1 – Strobed Input/Output
One or two strobed ports
Each Mode 1 port contains:
8-bit data port
3 control lines
Interrupt support logic
Any port may be input or output
If one Mode 1 port is used, the remaining 13 lines may be configured in Mode 0.
If two Mode 1 ports are used, the remaining 2 bits may be input or output with bit set/reset capability.
Mode 2 – Strobed Bidirectional Bus
One bidirectional bus which contains:
8-bit bidirectional bus supported by Port A
5 control lines
Interrupt support logic
Inputs and outputs are latched
The remaining 11 lines may be configured in either Mode 0 or Mode 1.

One feature of Port C is important to note. Each Port C bit may be individually set and reset. Through the use of this feature, device strobe; may be easily generated by software without utilizing external logic. The Mode 1 and Mode 2 configurations use a number of the Port C lines for interrupt control lines. Thus, the 8255 contains a large portion of the logic required to implement an interrupt driven I/O interface. This feature simplifies interrupt driven hardware design and saves a significant amount of the external logic that is normally required when less powerful I/O chips are used. In fact, the design examples contained in this application note describe how interrupt driven interfaces may be designed such that the only interrupt control logic required is that contained in the 8255.

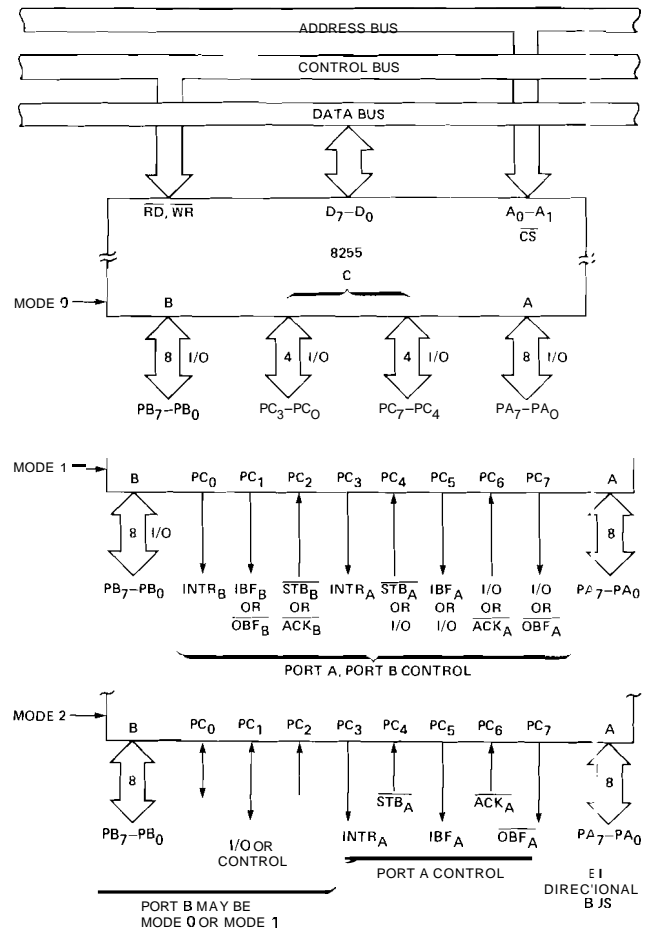


Figure 5. Grouping of Peripheral Interface Lines

INTERNAL LOGIC SECTION

The internal logic section manages the transfer of data and control information on the internal data bus (refer to Figure 2). If the port select lines (A_1 and A_0) specify Ports A, B, or C, the operation is an I/O port data transfer. The internal logic will select the specified I/O port and perform the data transfer between the I/O port and the CPU interface. As was previously mentioned, both the functional configuration of each port and bit set/reset on Port C are controlled by the system's software. When the control word register is selected, the internal logic performs the operation described by the control word. The control word contains an opcode field which defines which of the two functions are to be performed (mode definition or bit set/reset).

Mode Definition

When the opcode field (Bit 7) of the control word is equal to a one, the control word is interpreted by the 8255 as a mode definition control word. The mode definition control word (shown in Figure 6) is used to specify the configuration of the

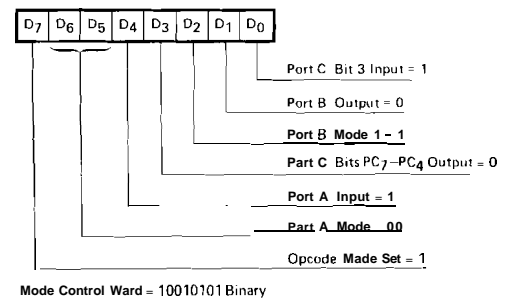
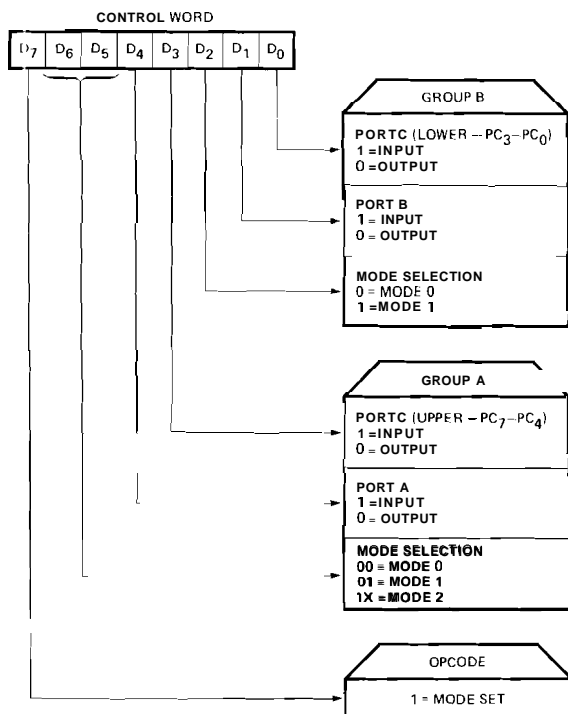
24 8255 peripheral interface lines. The system's software may specify the modes of Port A and Port B independently. Port C may be treated independently or divided into two portions as required by the Port A and Port B mode definitions.

Example #1: This example demonstrates how a mode control word is constructed and issued to an 8255. The mode control word is passed to the device through the use of an output instruction that references an 8080 I/O port address. The value of the I/O port address is determined by the 8080 CPU interface implemented. This example references the I/O port addresses realized by the simple 8080 to 8255 interface shown in Figure 3.

If an 8255 is to be configured through the use of the mode control word interface as:

Port A	Mode 0 Input
Port B	Mode 1 Output
Port C	Bits PC ₇ –PC ₄ Output
Port C	Bit 3 Input

The following mode control word is used:



The assembly language program is:

```

CWR      EQU   0FBH      ;8255 #1 CONTROL WORD REGISTER
.....
.....  ISSUE MODE CONTROL WORD
.....
MVI     A,10010101B    ; GET MODE CONTROL WORD
OUT     CWR            ; OUTPUT TO 8255 #1 CONTROL WORD REGISTER

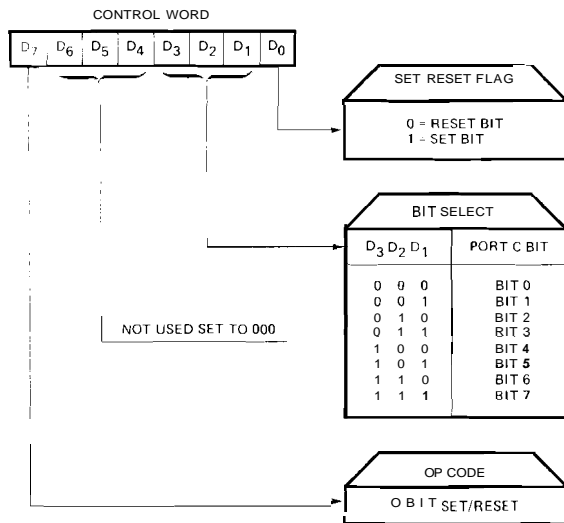
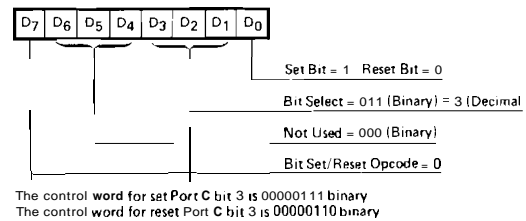
```

Figure 6. Mode Definition Control Word

Bit Set/Reset

When the opcode field (Bit 7) of the control word is equal to a zero, the control word is interpreted by the 8255 as a Port C bit set/reset command word (see Figure 7). Through the use of the bit set/reset command, any of the 8 bits on Port C may be independently set or reset. Note that control word bits 6–4 are not used. Bits 6–4 should be set to zero.

Control word (see Figure 7).



The assembly language program is:

```

CWR      EQU      0FBH          ; 8255 =1 CONTROL WORD REGISTER
.....
SET BIT 3
.....
MVI      A, 00000111B         ; GET SET BIT 3 CONTROL WORD
OUT      CWR                  ; OUTPUT TO 8255 =1 CONTROL WORD REGISTER
.....
RESET BIT 3
.....
MVI      A, 00000110B         ; GET RESET BIT 3 CONTROL WORD
OUT      CWR                  ; OUTPUT TO 8255 =1 CONTROL WORD REGISTER

```

NOTE: An MVI instruction is used to load the reset bit 3 control word into the A register. Since it is known that the set bit control word is already in the A register, a "DCK A" Instruction could be used to generate the correct control word and save one byte of code.

00000111 - 1 = 00000110 (RESET BIT 3 CONTROL WORD)

Example #3: This example demonstrates one simple method of performing a bit set/reset operation on Ports A and B. The state of any output port may be determined by reading the port. The assembly language program which may be used to set/reset Port A or B bits is:

Figure 7. Bit Set/Reset Control Word

Example #2: This example demonstrates how a Port C bit set/reset control word is constructed and issued to an 8255. The bit set/reset control word is passed to the device through the use of an output instruction that references an 8080 I/O port address. The value of the I/O port address is determined by the 8080 CPU interface implemented. This example references the I/O port addresses realized by the simple 8080 to 8255 interface shown in Figure 3.

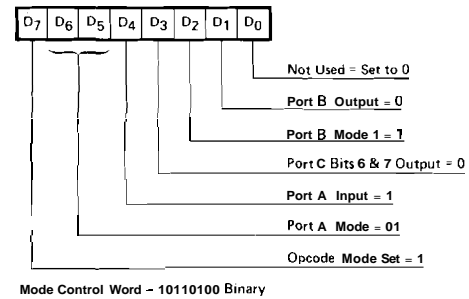
```

PORTA    EQU      0F8H          ; 8255 =1 PORT A
.....
SET BIT 0
.....
IN       PORTA                ; GET STATE OF PORT
OR!     01H                  ; SET BIT 0
OUT     PORTA                  ; OUTPUT TO PORT
.....
RESET BIT 0
.....
IN       PORTA                ; GET STATE OF PORT
ANI     0FEH                  ; RESET BIT 0
OUT     PORTA                  ; OUTPUT TO PORT

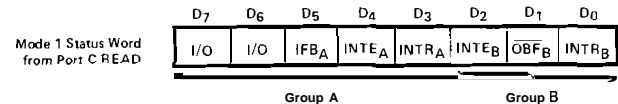
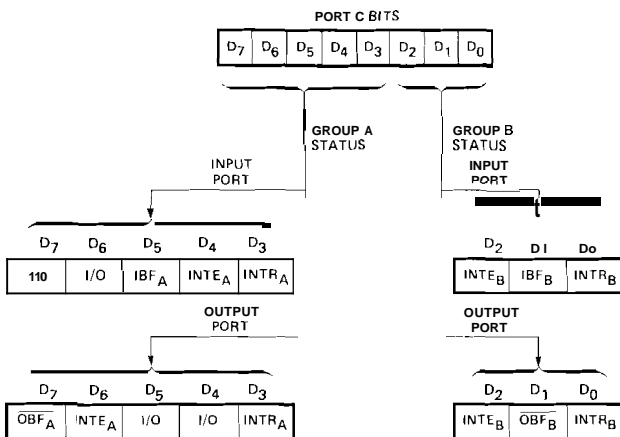
```


INTERRUPT CONTROL LOGIC STATUS WORDS

As previously mentioned, the 8255 Mode 1 and Mode 2 configurations support interrupt control logic. If a read of Port C is issued when the 8255 is configured in Mode 1, the software will receive the Mode 1 status word shown in Figure 8. The bits in the status word correspond to the state of the associated Port C lines (buffer full, interrupt request, etc.). The INTE bit shown in the status word corresponds to the interrupt enable flip-flop contained in the 8255. This signal is not available externally. The structure of the Mode 1 status word varies as a function of the mode of the 8255. Example #4 shows the status word which results from reading Port C from an 8255 which is configured with Port A Mode 1 input and Port B Mode 1 output.



After the 8255 mode control word has been issued, a READ of Port C will obtain the following Mode 1 status word:



NOTE: The Port C I/O bits D7 and D6 should be modified through the use of the Port C bit set/reset command word. If a write to Port C is issued, the INTE_A and INTE_B bits may be inadvertently modified by the user. The IBF_A, INTR_A, IBF_B, and INTR_B bits will not be modified by either a write to Port C or a bit set/reset command. These four bits always reflect the state of the interrupt control logic.

Figure 8. Mode 1 Status Word

Example #4 – MODE 1 STATUS WORD

If an 8255 is to be configured through the use of the mode control word interface as:

Port A Mode 1 Input
 Port B Mode 1 Output
 Port C Bits 6 & 7 Output

The following mode control word is used:

Note that the Mode 2 status word (shown in Figure 9) differs from the Mode 1 status word. The format of the status word data bits D₂–D₀ are defined by the specification of the Port B configuration. Example #5 shows the structure of the Mode 2 status word when the 8255 is configured with Port A Mode 2 (bidirectional bus) and Port B Mode 1 input.

The Mode 1 and Mode 2 status words reflect the state of the interrupt logic supported by the 8255.

Example #6 demonstrates how the interrupt enable bits are controlled through the use of the Port C bit set/reset feature. The application examples provide a more detailed explanation of the use of the Port C status word in the Mode 1 and Mode 2 configurations.

After the 8255 mode control word has been issued, a read of Port C will obtain the following Mode 2 status word:

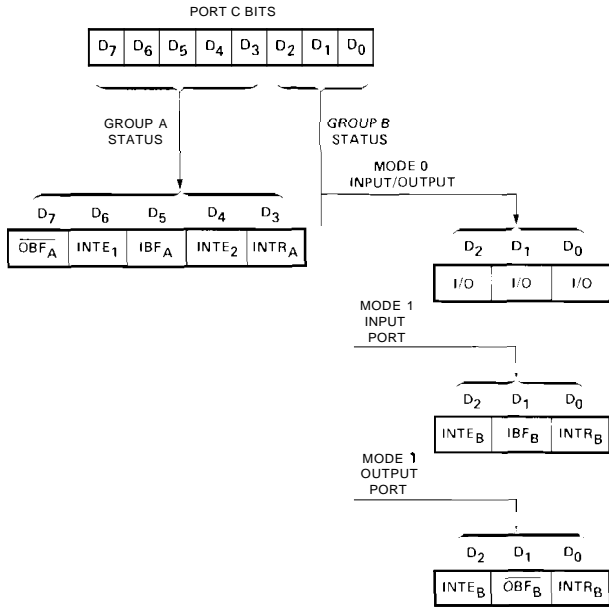
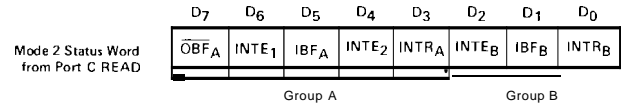


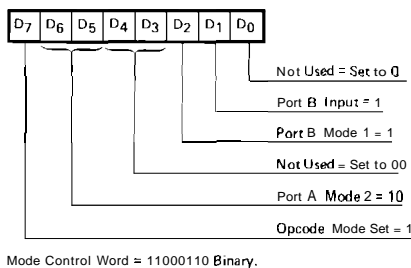
Figure 9. Mode 2 Status Word

Example #5 – MODE 2 STATUS WORD

If the 8255 is to be configured as follows:

- Port A Mode 2 Bidirectional Bus
- Port B Mode 1 Input

The following mode control word is used:



Mode Control Word = 11000110 Binary.

Example #6 – MODE 2 INTERRUPT ENABLE/DISABLE

The Mode 2 status word shown in Figure 9 contains two interrupt enable bits:

- INTE₁ – Bit 6 – Enable output interrupts
- INTE₂ – Bit 4 – Enable input interrupts

Bit set/reset control words may be constructed which may be used to control the INTE bits.

Set Bit 6 (Enable Output Interrupts) = 00001101 Binary

Reset Bit 6 (Disable Output Interrupts) = 00001100 Binary

Set Bit 4 (Enable Input Interrupts) = 00001001 Binary

Reset Bit 4 (Disable Input Interrupts) = 00001000 Binary

The control words shown were constructed from the standard bit set/reset format shown in Figure 7.

The value of CWR used in the following program example corresponds to the 8080 configuration shown in Figure 3.

```

CWR EQU OFBH      8255 =1 CONTROL WORD REGISTER
.....
..... ENABLE INTERRUPTS FOR MODE 2 OUTPUT (SET PORT C BIT 6)
.....
MVI A, 00001101B . GET SET BIT 6 CONTROL WORD
OUT CWR          . OUTPUT TO 8255 =1 CONTROL WORD REGISTER

.....
..... DISABLE INTERRUPTS FOR MODE 2 OUTPUT (RESET PORT C BIT 6)
.....
MVI A, 00001100B . GET RESET BIT 6 CONTROL WORD
OUT CWR          . OUTPUT TO 8255 =1 CONTROL WORD REGISTER
  
```

SOFTWARE CONSIDERATIONS

Regardless of the mode selected, the software must always issue the correct mode control word after a reset of the device. Generally, an initialization routine is constructed which issues the correct mode control word, sets up the initial state of the control lines, and initializes any program internal data.

Many of the software requirements of the 8255 vary as a function of the mode selected. The simplest mode supported by the device is Mode 0 (Basic Input/Output). Generally, Mode 0 is used for simple status driven device interfaces (no interrupts). Figure 10 illustrates sample software that could be used to support such interfaces. Most devices support a BUSY or READY signal which is used to determine when the device is ready to input or output data and a DATA STROBE which is used to request data transfer (DATA STROBE may easily be generated with the Port C bit set/reset feature). In the Mode 0 configuration, Ports A and B are used to input/output byte oriented data. Port C is used to input 8255 status, peripheral status and to drive peripheral control lines.

When the Mode 1 and Mode 2 configurations are used, the software is generally required to support interrupts. Software routines written for an interrupt driven environment tend to be more complex than status driven routines. The added complexity is due to the fact that interrupt driven systems are constructed such that other software tasks are run while the I/O transaction is in progress. A software routine that controls a peripheral device is generally referred to as a device driver. One method of implementing an interrupt driven device driver is to partition the device driver into a "Command Processor" and an "Interrupt Service Routine". The command processor is the module that validates

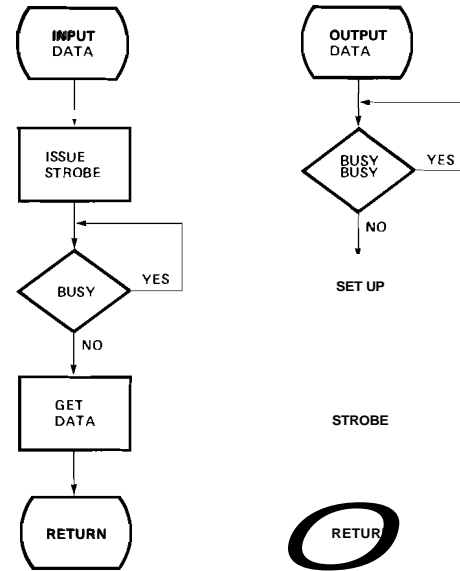


Figure 10. Sample Status Driven Software Flowchart

and initiates user program requests to the device driver. A common method of passing information between the various software programs is to have the requesting routine provide a device control block in memory. A sample device control block is shown in Table II.

Table II. Sample Device Control Block

NAME	DESCRIPTION
Status	This 1-byte field is used to transmit the status of the I/O transaction (busy, complete, etc.).
Opcode	This 1-byte field defines the type of I/O (READ, WRITE, etc.).
Buffer Address	This 2-byte field specifies the source/destination of the data block.
Character Count	This 1-byte field is a count of the number of characters involved in the transaction.
Character Transferred Count	This 1-byte count of the number of characters which were actually transferred.
Completion Address	This 2-byte field is the address of the user supplied completion routine which will be called after the I/O has been performed.

The command processor validates the transaction and initiates the operation described by the control block. Control is then returned to the requestor so that other processing may proceed. The interrupt service routine processes the remainder of the transaction.

The interrupt service routine supports the following functions:

1. The state of the machine (registers, status, etc.) must be saved so that it may be restored after the interrupt is processed.
2. The source of the interrupt must be determined. The hardware may support a register which indicates the interrupting device, or the software may poll the devices through interrogating the Port C status word of each 8255.
3. Data must be passed to or from the device.
4. Control must be passed to the requesting routine at the completion of the I/O.
5. The state of the machine must be restored before returning to the interrupted program.

Figures 11 and 12 are simplified flowchart: of one of the many methods of implementing command processor and interrupt service routine modules.

The rest of this application note presents specific application examples. All of the 8080 assembly language programs supplied with the application examples use the standard Intel 8080 assembly language mnemonics. The programs discussed use the program equate statement to specify all hardware related data. Equate statements are used so that all references to an I/O port may be changed through a simple reassignment of the port address in the equate statement.

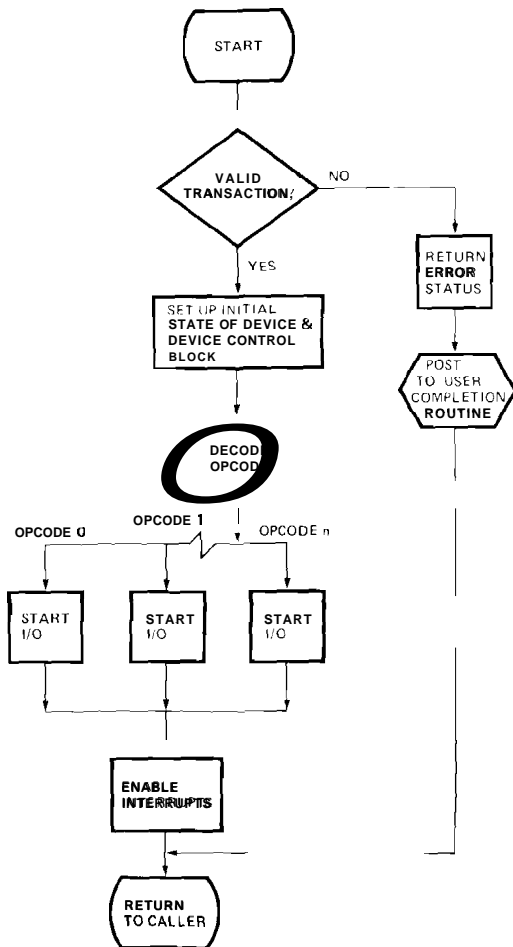


Figure 11. Command Processor

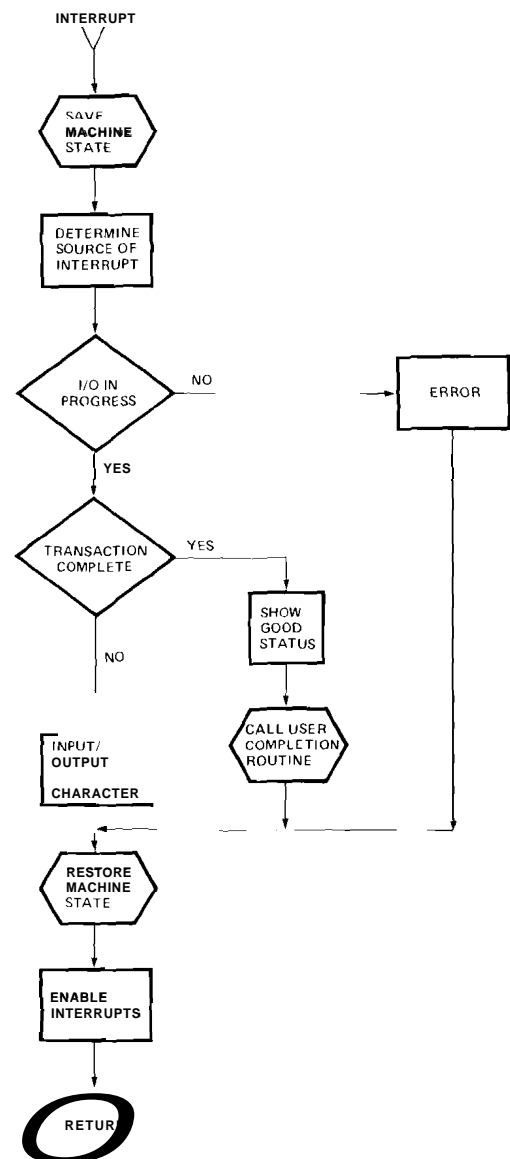


Figure 12. Interrupt Service Routine

MODE 0 – STATUS DRIVEN PERIPHERAL INTERFACE

This design example shows how a single 8255 in Mode 3 may be used to develop a status driven interface (no interrupts) for the Centronics 306 character printer, the Remex paper tape punch, and the Remex paper tape reader.

8255 To Peripheral Hardware Interface

The first step in the design is to examine the specification for the peripheral devices and identify the control and data signals which must be supported by the interface. Table III lists the signals which were chosen to be supported by the 8255 interface. All three of the devices support the standard

Table III. Peripheral Interface Signals

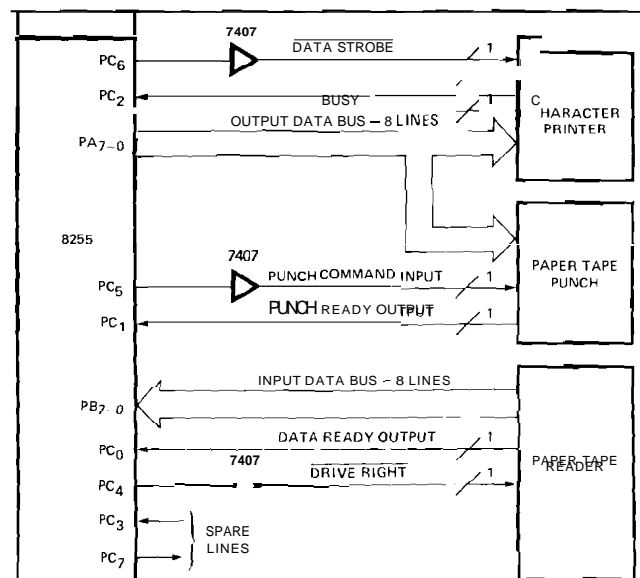
CHARACTER PRINTER	
Name:	DATA0 – DATA7
Definition:	Input data levels. A high signal represents a binary 1 and a low signal represents a binary 0. These eight lines are the data lines to the printer.
Name:	$\overline{\text{DATA STROBE}}$
Definition:	A 0.5 μsec pulse (minimum) used to transfer data from the 8255 to the printer.
Name:	BUSY
Definition:	The level indicating that the printer cannot receive data.
PAPER TAPE PUNCH	
Name:	TRACKS 1–8 DATA INPUT
Definition:	Input data levels. A high signal causes a hole to be punched on the associated track. These eight lines are the data lines to the printer.
Name:	PUNCH COMMAND INPUT
Definition:	A true condition moves the tape and initiates punching the tape. This signal is actually a data strobe.
Name:	PUNCH READY OUTPUT
Definition:	True signal indicates that the punch is ready to accept a punch command. This is the punch busy line.
PAPER TAPE READER	
Name:	DATA TRACK OUTPUTS
Definition:	True signal indicates data track hole. These eight lines are the data lines from the punch.
Name:	DRIVE RIGHT
Definition:	True signal drives the tape to the right and reads a character. This signal is actually the data strobe (initiate read signal).
Name:	DATA READY OUTPUT
Definition:	True signal indicates data track outputs are in "On character" condition. This signal is the reader busy line.

BUSY/DATA STROBE interface discussed previously (see Figure 10). Figure 13 is a block diagram of the interface design. The 8255 Port A is configured as a Mode 0 output port which is used to support the printer and the paper tape punch data bus. Port B is configured as a Mode 0 input port and is used to input the paper tape reader data. Three of the Port C lower bits (PC_2 – PC_0) configured in input mode are used to input the device busy indications. Three of the Port C upper bits (PC_6 – PC_4) configured in output mode are used to support the device strobe signals required by each device.

The drive requirements of the interface lines are a function of the peripheral interface circuitry, the length of the interface cable, and the environment in which the unit is running. In this particular design example, all output lines from the 8255 to the peripherals were buffered through a 7407 buffer/driver. The input lines from the peripherals were fed directly into the Port C and Port B inputs.

8080 CPU Module To 8255 Interface

The schematic of the completed hardware design is shown in Figure 14. The CPU module design shown is the design which was implemented for Intel's SDK 80 kit board. The 8255 is addressed through the use of an isolated I/O architecture utilizing a linear select scheme. Address bits A_1 and A_0 are used to select the 8255 port. Address bit A_3 is the exclusive enable for 8255 #1. Examination of the schematic shows that all of the 8255 interface lines are directly driven by the CPU module.



NOTE
 1 OUTPUT DATA BUS BUFFERED WITH 7407
 2 ALL 8255 OUTPUT LINES ARE PULLED UP TO +5V AT THE PERIPHERAL

Figure 13. Interface Block Diagram

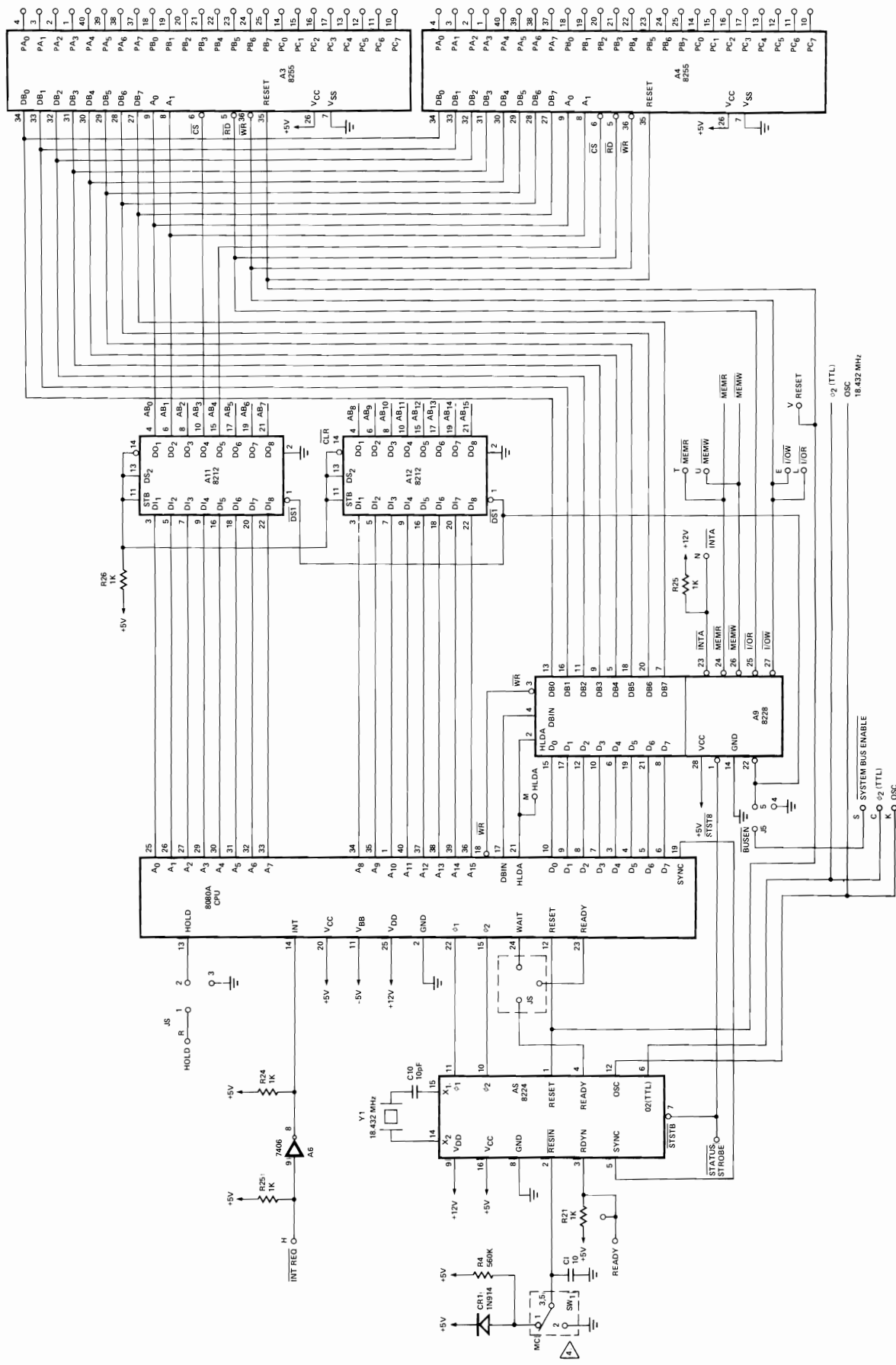


Figure 14. SDK 80 Schematic

Mode 0 Interface Software

An initialization routine and three device drivers (one for each peripheral device) are required to support the peripheral interface. The I/O port addresses implemented by the hardware are shown in Figure 15. The unused chip select bits are set to one so that chip select conflicts will not result if the unused bits are required by an expanded system.

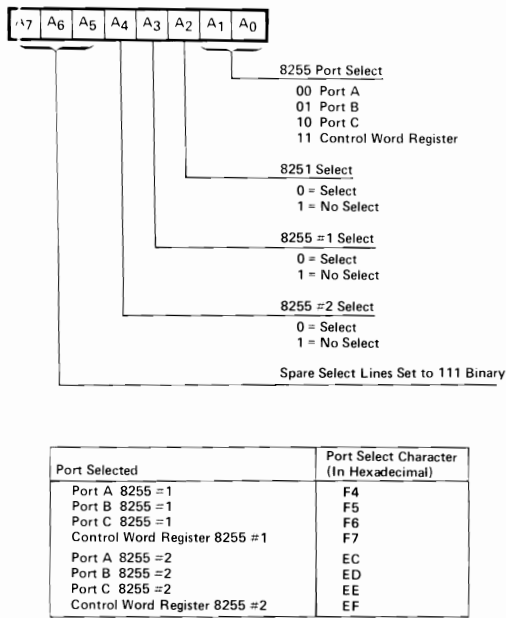
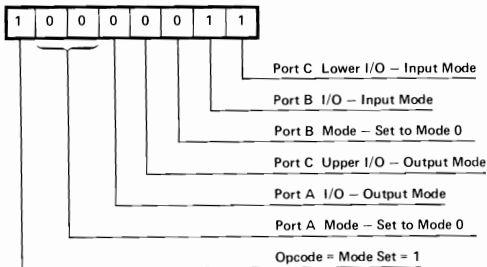


Figure 15. I/O Port Addresses

Note that the initialization routine issues the mode control word (shown in Figure 16). It also sets the low true DATA STROBE signals to an inactive (high) state.

Hardware Requirements:

- Port A – Output Mode 0
- Port C Upper Bits C7–C4 – Output Mode 0
- Port C Lower Bits C3–C0 – Input Mode 0
- Port B – Input Mode 0



Mode Control Word = 10000011 Binary = 83 HEX.

Figure 16. Mode Control Word

```

ISIS 8080 MACRO ASSEMBLER, V1.0          PAGE 1
MODE ZERO EXAMPLE

;*****
;
; CHARACTER PRINTER, PAPER TAPE PUNCH, PAPER TAPE READER
; MODE ZERO EXAMPLE
;*****
;*****
; PROGRAM EQUATES
;*****
00F4  PORTA EQU 0F4H ; 8255 PORT A
00F6  PORTB EQU 0F5H ; 8255 PORT B
00F7  PORTC EQU 0F6H ; 8255 PORT C
00F7  CWR EQU 0F7H ; 8255 CONTROL WORD REGISTER
;*****
;
; INITIALIZATION CONTROL WORD
;
; USED TO CONFIGURE THE 8255 AS FOLLOWS:
;
; PORT A - OUTPUT MODE ZERO
; PORT B - INPUT MODE ZERO
; PORT C (UPPER) - OUTPUT
; PORT C (LOWER) - INPUT
;*****
0083  ICW EQU 10000011B ; INITIALIZATION CONTROL WORD
;*****
;
; SET/RESET CONTROL WORDS FOR GENERATION OF DATA STROBES
; ON PORT C.
;*****
000D  LPSON EQU 00001101B ; PRINTER DATA STROBE ON
000C  LPSOF EQU 00001100B ; PRINTER DATA STROBE OFF
000B  PNSON EQU 00001011B ; PUNCH DATA STROBE ON
000A  PNSOF EQU 00001010B ; PUNCH DATA STROBE OFF
0009  RDSON EQU 00001001B ; READER DATA STROBE ON
0008  RDSOF EQU 00001000B ; READER DATA STROBE OFF
;*****
; BIT MASK FOR DEVICE BUSY CHECK
;*****
0004  LPSY EQU 04H ; LINE PRINTER BUSY
0002  PMSY EQU 02H ; PUNCH BUSY
0001  HDSY EQU 01H ; HEADER BUSY
  
```

```

ISIS 8080 MACRO ASSEMBLER, V1.0          PAGE 2
MODE ZERO EXAMPLE - INITIALIZATION ROUTINE

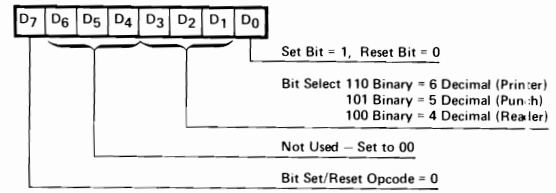
;*****
; PROGRAM ORIGIN
;*****
3000  ORG 03000H
;*****
; INITIALIZATION ROUTINE
; A REGISTER MODIFIED
;*****
INIT:
3000 3E83  MVI A,ICW ; GET INITIALIZATION CONTROL WORD
3002  D3F7  OUT CWR ; OUTPUT TO CONTROL WORD REGISTER
;*****
; SET ALL LOW TRUE DATA STROBES ON
;*****
3004 3E0D  MVI A,LPSON ; GET CONTROL WORD TO TURN ON PRINTER DATA STROBE
3006  D3F7  OUT CWR ; OUTPUT TO CONTROL WORD REGISTER
3008 3E09  MVI A,RDSON ; GET CONTROL WORD TO TURN ON READER DATA STROBE
300A  D3F7  OUT CWR ; OUTPUT TO CONTROL WORD REGISTER
300C  C9    RET ; RETURN TO CALLER
  
```

The three peripheral drivers which follow all have the basic structure discussed previously. Consider the printer routine. Here the user routine places an ASCII data character in the C-register and passes control to the LPST location through a subroutine call. The printer driver interrogates the status of the printer by reading Port C. If the printer is busy, the routine will loop until the printer is idle. When the printer is ready to accept a data character, the character is placed on the Port A lines and a DATA STROBE is generated. After generating the DATA STROBE, the driver executes a subroutine return to the caller.

The DATA STROBE signals to the devices are generated through the use of the Port C bit set/reset feature. The bit set/reset control words used are shown in Figure 17.

Summary/Conclusions

This design example discussed the basic hardware and software required to handle a simple device interface. The 8255 will easily accommodate a more complex interface design which utilizes additional interface lines supported by the peripheral.

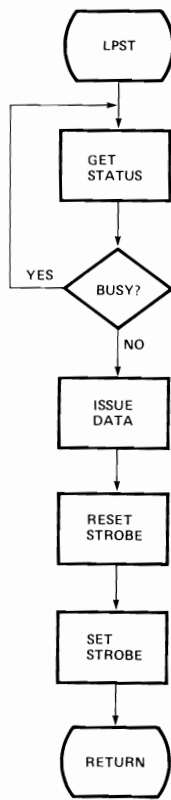


The control word for set Printer DATA STROBE (PC 6) = 00001101 binary.
 The control word for reset Printer DATA STROBE (PC 6) = 00001100 binary.
 The control word for set Punch DATA STROBE (PC 5) = 00001011 binary.
 The control word for reset Punch DATA STROBE (PC 5) = 00001010 binary.
 The control word for set Reader DATA STROBE (PC 4) = 00001001 binary.
 The control word for reset Reader DATA STROBE (PC 4) = 00001000 binary.

Figure 17. Bit Set/Reset Control Words

For instance, one of the spare Port C output lines may be used to control the punch direction. Support of this additional feature would require minor modification of the device driver so that the punch direction line could be specified by the user routine.

Through consideration of this example, the use of the 8255 in Mode 0 should become evident.



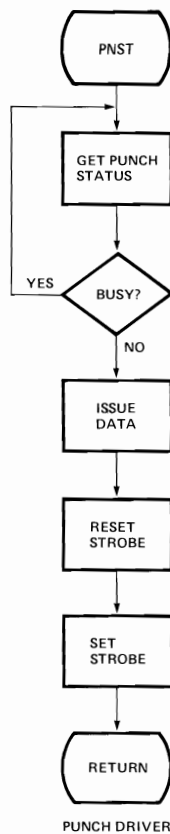
PRINTER DRIVER

```

ISIS 8080 MACRO ASSEMBLER, V1.0          PAGE 3
MODE ZERO EXAMPLE - CHARACTER PRINTER DRIVER

;*****
; CHARACTER PRINTER DRIVER
;
; INPUTS : CHARACTER TO PRINT IN C-REG
; OUTPUTS: CHARACTER TO PRINTER
;
; A REGISTER MODIFIED
;*****
LPST:
300D DBF6      IN      PORTC ; GET STATUS OF PRINTER
300F E6D4      ANI     LPBSY ; SEE IF BUSY
;              JNZ     LPST ; IF BUSY - JUMP TO LPST (WAIT LOOP)
;*****
; PRINTER IS IDLE - OUTPUT A CHARACTER
;*****
3014 79        MOV     A,C ; GET DATA BYTE SUPPLIED BY CALLER
3015 D3F4      OUT     PORTA ; OUTPUT DATA TO DATA LINES
3017 3E0C      MVI     A,LPSOF ; GET DATA STROBE CONTROL WORD
3019 D3F7      OUT     CWR ; RESET DATA STROBE (LOW TRUE SIGNAL)
301B 3C        INR     A ; GENERATE SET DATA STROBE CONTROL WORD
301C D3F7      OUT     CWR ; SET DATA STROBE
301E C9        RET     ; RETURN TO CALLER

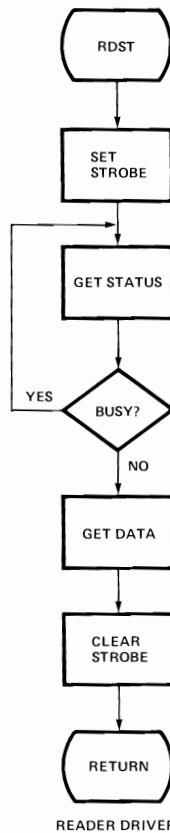
```

ISIS 8080 MACRO ASSEMBLER, V1.0 PAGE 4
 MODE ZERO EXAMPLE - PAPER TAPE PUNCH DRIVER

```

;*****
;
; PAPER TAPE PUNCH DRIVER
;
; INPUTS : DATA TO PUNCH IN C-REGISTER
; OUTPUTS: DATA TO PUNCH
;
; A REGISTER MODIFIED
;
;*****
PNST:
301F DBF6 IN PORTC ; GET STATUS OF PUNCH
3021 E602 ANI PMSY ; SEE IF BUSY
3023 C21F30 JNZ PNST ; IF BUSY - JUMP TO PNST (WAIT LOOP)
;*****
; PUNCH IS IDLE - OUTPUT A CHARACTER
;*****
3026 79 MOV A,C ; GET DATA BYTE SUPPLIED BY CALLER
OUT PORTA ; OUTPUT DATA TO DATA LINES
3029 3E0B MVI A,PMSON ; SET DATA STROBE CONTROL WORD
302B D3F7 OUT CWR ; SET DATA STROBE
302D 3D DCR A ; GENERATE RESET DATA STROBE CONTROL WORD
302E D3F7 OUT CWR ; RESET DATA STROBE
3030 C9 RET ; RETURN TO CALLER
  
```



ISIS 8080 MACRO ASSEMBLER, V1.0 PAGE 5
 MODE ZERO EXAMPLE - PAPER TAPE READER DRIVER

```

;*****
;
; PAPER TAPE READER DRIVER
;
; INPUTS : DATA FROM READER
; OUTPUTS: CHARACTER TO USER IN C-REGISTER
;
; A AND C REGISTER MODIFIED
;
;*****
RDST:
3031 3E0B MVI A,RDSOF ; GET STROBE CONTROL WORD (LOW TRUE SIGNAL)
3033 D3F7 OUT CWR ; SET DATA STROBE
;*****
RDLP:
3035 DBF6 IN PORTC ; GET STATUS OF DEVICE
3037 E601 ANI RBSY ; SEE IF BUSY
3039 C23530 JNZ RDLP ; IF BUSY - LOOP UNTIL IDLE
;*****
; READER NOT BUSY - GET CHAR AND CLEAR STROBE
;*****
303C DBF5 IN PORTB ; GET CHARACTER
303E DE07 MVI C,A ; SAVE CHARACTER
3040 3E09 MVI A,RDSO ; GET STROBE SET CONTROL WORD (LOW TRUE SIGNAL)
3042 D3F7 OUT CWR ; TURN OFF STROBE
3044 C9 RET ; RETURN TO CALLER
;*****
; END OF MODE ZERO EXAMPLE
;*****
0000 END
  
```

MODE 1 INTERRUPT DRIVEN PRINTER INTERFACE

The status driven interface described in the previous example required the software driver to poll the device status for completion. An alternate approach is to construct the device interface such that an interrupt is used to signal the completion of the operation. When an interrupt driven interface is utilized, the time that was dedicated to polling can be used to perform other functions and the effective processor through-put is increased. This example demonstrates how an 8255 configured in Mode 1 may be used to develop an interrupt driven interface for the Centronics 306 character printer.

CPU Module To 8255 Interface

The 8080 bus interface implemented for this example is the same as the Mode 0 example with the addition of interrupt support. Interrupt support is implemented through the use of a special feature of the 8228 System Controller. If only one interrupt vector is required (such as in small systems), the 8228 can automatically assert an RST 7 instruction onto the data bus at the proper time. This option is selected by connecting the $\overline{\text{INTA}}$ output of the 8228 to the +12-volt supply through a 1K ohm series resistor.

The Mode 1 interrupt support logic of the 8255 provides an interrupt request line for each port. The 8255 interrupt request line (INTR_A) must be connected to the INT line of the 8080. A 10K ohm pullup resistor is used to insure that the V_{IH} requirements of the 8080 are met.

8255 To Peripheral Interface

The interrupt driven configuration control signal interface to the printer is different than the status driven interface. Instead of a BUSY/DATA STROBE interface, a DATA STROBE/ACK interface is supported. The ACK signal notifies the 8255 that a character transferred to the printer by a DATA STROBE has been accepted. After an ACK is issued the printer is considered idle. The block diagram shown in Figure 18 displays the interface signals used.

The Mode 1 interrupt driven peripheral support signals used are:

$\text{PA}_7\text{--}\text{PA}_0$ – Output Data
Used to support the printer data port.

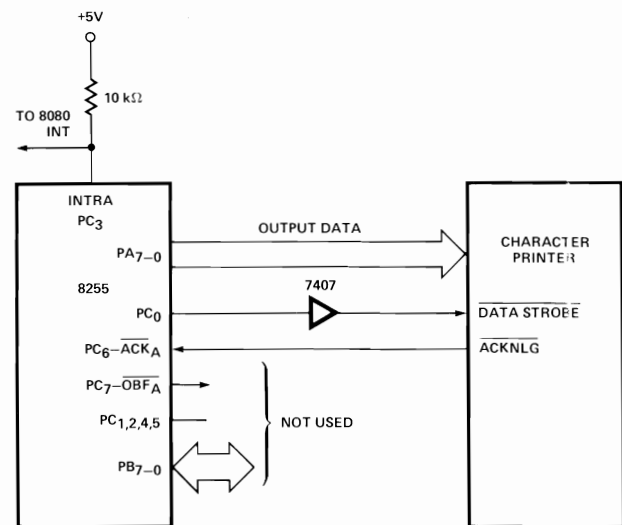
$\overline{\text{OBF}}$ – Output Buffer Full
This line goes low when data is placed in the output buffer. The OBF signal may be used as a data

strobe signal when interfacing to peripherals which do not require a pulsed input. The Centronics 306 requires a pulsed DATA STROBE signal. This signal is supported by Port C bit 0.

$\overline{\text{ACK}}$

– ACKnowledge

This line is used to signal the 8255 that the device has accepted the data. This line is supported by the printer ACKNLG signal.



NOTES:

1. DATA BUS BUFFERED WITH 7407.
2. ALL 8255 OUTPUT LINES ARE PULLED UP TO +5V AT THE PERIPHERAL.

Figure 18. Interface Block Diagram

Mode 1 Software Driver

The software driver implemented for this example utilizes the typical interrupt driven software structure outlined previously. The initialization routine issues the mode control word (shown in Figure 19) to the 8255 after reset of the device. The initialization routine also places a jump to the interrupt service routine in the interrupt location for RST 7. The command processor is started by the user routine through a subroutine call to PSTRT, with the address of the control block in the D and E registers (the control block format is shown in Table IV). The command processor insures that an I/O operation is not already in progress, starts the I/O, enables interrupts, and returns to the caller so that other processing may proceed.

After a character is placed in the output buffer, the DATA STROBE signal is generated through the use of the Port C bit set/reset feature. When the ACK is generated by the printer, the buffer full indication is cleared and the 8255 generates an interrupt. If interrupts are enabled, the interrupt request is serviced by the 8080 CPU through disabling processor interrupts and then executing the instruction at location 38 hexadecimal in program memory. The interrupt service routine saves the processor state and polls the 8255 to determine the source of the interrupt. Once the interrupting device is located, the control block is used to locate the next data character for transfer to the 8255 output buffer. After the entire buffer has been printed, the interrupt service routine passes control to the user-supplied completion routine. Before returning from the interrupt, the state of the processor is restored.

Hardware Requirements:

Port A – Input Mode 1
 Port C (Lower) – Output
 Port B
 Port C (Upper) } Not Used

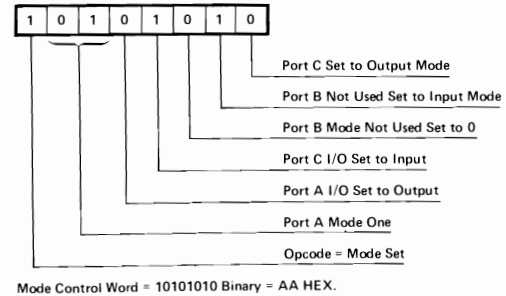


Figure 19. Mode Control Word

Table IV. Printer Software Control Block

NAME	POSITION	DEFINITION
Status	Byte 0	A 1-byte field which defines the completion status of an I/O. 00 = Good completion 01 = Error – command already in progress
Buffer Address	Byte 1, 2	Pointer to the start of the data to print.
Character Count	Byte 3	Count of the number of characters to print.
Character Transferred Count	Byte 4	The number of characters transferred.
Completion Address	Byte 5, 6	Address of a user supplied routine which will be called after the I/O has been performed.

NOTES:

1. An opcode field is not required because WRITE is the only operation performed.
2. The control block must reside above location FF Hex.

There are a number of error conditions which may occur, such as an interrupt from a device which does not have a control block in progress, or an interrupt when polling establishes that no device requires service. Neither of these errors should occur, but if they do, the driver should perform in a consistent fashion. The recovery routines implemented to handle error conditions are determined by the particular applications environment.

Summary/Conclusions

When utilized in a small system design, the 8255 interrupt support logic provides all of the capabilities required to implement an interrupt driven hardware interface without the use of external logic. In larger system designs, the designer may chose to use additional hardware to determine the source of interrupt requests without software polling. The software design required by an interrupt driven system is inherently more complex than the status driven interface. If an interrupt driven system is required the added complexity is a small price to pay for a significant increase in system through-put.

```

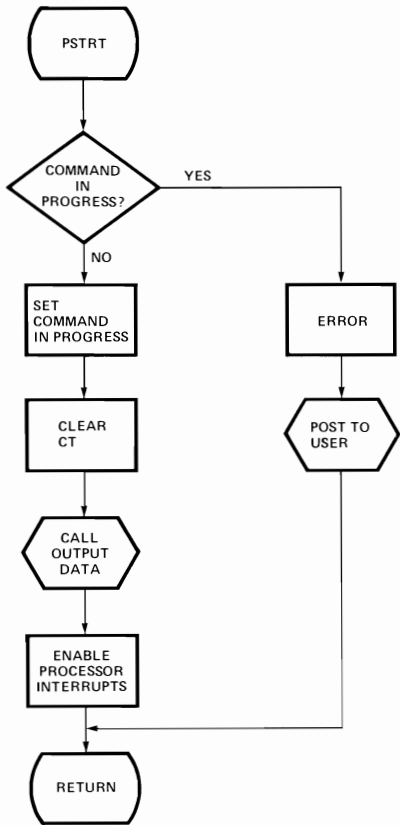
;*****
; TITLE 'MODE ONE EXAMPLE'
;
; CHARACTER PRINTER - INTERRUPT DRIVEN
; MODE ONE EXAMPLE
;
;*****
;
;*****
; PROGRAM EQUATES
;*****
00F4 PORTA EQU 0F4H ; 8255 PORT A
      PORTB EQU 0F5H ; 8255 PORT B
00F6 PORTC EQU 0F6H ; 8255 PORT C
00F7 CWR EQU 0F7H ; 8255 CONTROL WORD REGISTER
0038 RST7 EQU 038H ; RESTART 7 ADDRESS
;
;*****
;
; INITIALIZATION CONTROL WORD
;
; USED TO CONFIGURE THE 8255 AS FOLLOWS:
;
; PORT A - OUTPUT MODE 1
; PORT B - INPUT MODE 0 (NOT USED)
; PORT C LOWER - OUTPUT
;
;*****
00AA ICW EQU 10101010B ; INITIALIZATION CONTROL WORD
;*****
; SET/RESET CONTROL WORDS
;*****
0001 STBON EQU 0000001B ; SET STROBE
0000 STROF EQU 0000000B ; RESET STROBE
;*****
; 8255 ENABLE/DISABLE INTERRUPT CONTROL WORDS
;*****
000D IEN EQU 0001101B ; ENABLE INTERRUPTS
000C IDN EQU 0001100B ; DISABLE INTERRUPTS
;*****
; DEVICE STATUS EQUATES
;*****
0008 LPSY EQU 008H ; BUFFER FULL (LINE PRINTER BUSY)
0008 INTR EQU 008H ; INTERRUPT REQUEST

```

```

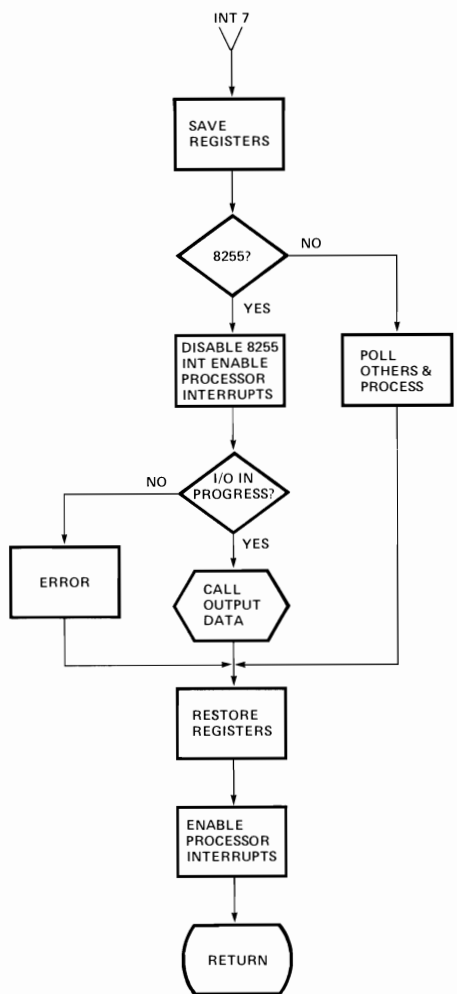
;*****
; CONTROL BLOCK EQUATES
;*****
0000 CBST EQU 00H ; STATUS BYTE
0001 CBUF EQU 01H ; BUFFER ADDRESS
0003 CBCC EQU 03H ; CHARACTER COUNT
0004 CBCT EQU 04H ; CHARACTER TRANSFERED COUNT
0005 CBEMP EQU 05H ; COMPLETION SERVICE ADDRESS
;*****
; COMPLETION STATUS EQUATES
;*****
0000 STGD EQU 00H ; GOOD COMPLETION
0001 STEL EQU 01H ; ERROR - COMMAND ALREADY IN PROGRESS
;*****
; PROGRAM ORIGIN
;*****
3000 ORG 03000H
;*****
;
; INITIALIZATION ROUTINE
;
; A,H,L REGISTERS MODIFIED
;
;*****
INIT:
3000 3EAA MVI A,ICW ; GET MODE CONTROL WORD
3002 D3F7 OUT CWR ; OUTPUT TO CONTROL WORD REGISTER
3004 3E01 MVI A,STBON ; GET SET DATA STROBE CONTROL WORD
3006 D3F7 OUT CWR ; SET DATA STROBE (LOW TRUE SIGNAL)
;*****
; SET UP RESTART 7 LOCATION WITH JUMP TO PINT
;*****
3008 3EC3 MVI A,0C3H ; GET "JMP"
300A 323000 STA RST7 ; PLACE IN RST7 LOCATION
300D 213030 LXI H,PINT ; GET ADDRESS OF INTERRUPT SERVICE ROUTINE
3010 223900 SHLD RST7+1 ; STORE ADDRESS
3013 C9 RET ; RETURN TO CALLER

```



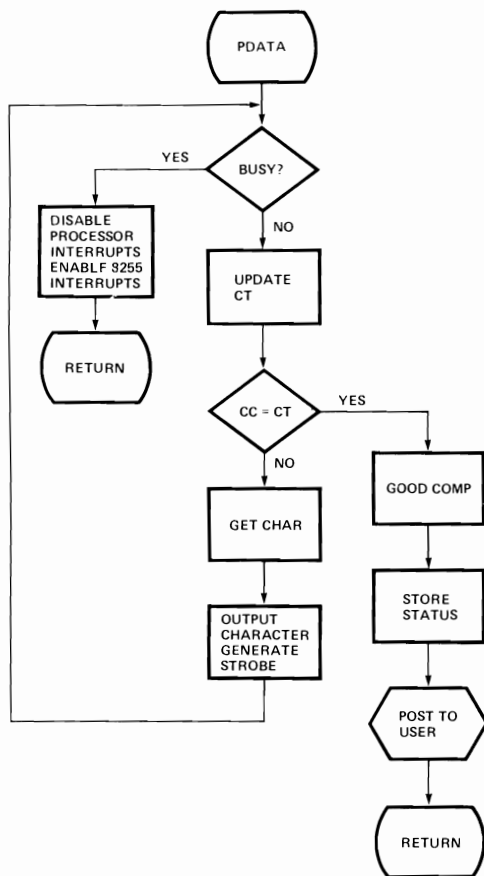
```

;*****
;
; COMMAND PROCESSOR
;
; INPUTS: CONTROL BLOCK ADDRESS IN D AND E REGISTERS
;
; OUTPUTS: START I/O OR ERROR STATUS IN CONTROL BLOCK
;
; A,H,L REGISTERS MODIFIED
;*****
PSTRT:
3014 3AA230 LDA PIPRG+1 ; GET PRINT IN PROGRESS BLOCK ADDRESS
3017 A7 ANA A ; SEE IF ZERO (PRINT IN PROGRESS)
; IF BLOCK ADDRESS NOT EQUAL TO ZERO THEN
; PRINT IN PROGRESS
3018 C22B30 JNZ PSTE ; IF YES - BRANCH TO ERROR
301B EB XCHG
301C 22A130 SHLD PIPRG ; SAVE CONTROL BLOCK ADDRESS
301F EB XCHG
3020 210400 LXI H,CBCT ; GET INDEX TO CT
3023 19 DAD D ; COMPUTE ADDRESS OF CT
3024 3600 MVI M,00H ; CLEAR CT
3026 CD5830 CALL PDATA ; START I/O
3029 FB EI ; ENABLE PROCESSOR INTERRUPTS
302A C9 RET ; RETURN TO CALLER
;*****
;*****
; ERROR - TRANSACTION ALREADY IN PROGRESS
;*****
PSTE:
302B 3E01 MVI A,STE1 ; GET ERROR STATUS CODE
302D C39430 JMP POST ; PASS CONTROL TO COMPLETION ROUTINE
  
```



```

;*****
; PRINTER INTERRUPT SERVICE ROUTINE
; ALL REGISTERS SAVED AND RESTORED
;*****
PINT:
3030 F5 PUSH PSW ; SAVE PSW
3031 C5 PUSH B ; SAVE REGISTER PAIR B AND C
3032 D5 PUSH D ; SAVE REGISTER PAIR D AND E
;
; SAVE REGISTER PAIR H AND L
;*****
;*****
; POLL INTERRUPT SOURCE - SEE IF 8255
;*****
3034 DBF6 IN PORTC ; GET STATUS OF DEVICE
3036 E608 ANI INTRA ; SEE IF INT
3038 CA5230 JZ PPOLL ; NO - BRANCH TO POLL OTHER DEVICES IF ANY
303B 3E0C MVI A,1DN ; GET 8255 INT DISABLE CONTROL WORD
303D D3F7 OUT CWR ; DISABLE DEVICE INTERRUPTS
303F FB EI ; ENABLE PROCESSOR INTERRUPTS
3040 2AA130 LHLD PIPRG ; GET CONTROL BLOCK ADDRESS
3043 AF XRA A ; CLEAR A REG
3044 BC CMP H ; SEE IF PRINT IN PROGRESS
3045 CA5530 JZ PIER1 ; NO - BRANCH TO ERROR ROUTINE
3048 EB XCHG
3049 CD5830 CALL PDATA ; PRINT DATA
;*****
;*****
; RESTORE REGISTERS AND RETURN FROM INTERRUPT
;*****
PRTN:
304C E1 POP H ; RESTORE REGISTER PAIR H AND L
304D D1 POP D ; RESTORE REGISTER PAIR D AND E
304E C1 POP B ; RESTORE REGISTER PAIR B AND C
304F F1 POP PSW ; RESTORE PSW
3050 FB EI ; ENABLE PROCESSOR INTERRUPTS
3051 C9 RET ; RETURN TO INTERRUPTED PROCESS
;*****
;*****
; POLL OTHER DEVICES IF ANY
; IF NO OTHER DEVICES TO POLL - USER SUPPLIED ERROR
; RECOVERY ROUTINE.
;*****
PPOLL:
3052 C34C30 JMP PRTN ; RETURN
;*****
;*****
; ERROR - INTERRUPT FROM IDLE DEVICE
; USER SUPPLIED ERROR RECOVERY ROUTINE
;*****
PIER1:
3055 C34C30 JMP PRTN ; RETURN
  
```



```

;*****
;
; PRINTER OUTPUT DATA ROUTINE
;
; CONTROL BLOCK ADDRESS IN D AND E REG
;*****
PDATA:
3058 DBF6 IN PORTC ; GET STATUS OF DEVICE
305A E680 ANI LPBSY ; SEE IF BUSY (BUFFER FULL)
305C CA8430 JZ PD10 ; IF BUSY - BRANCH
305F 210400 LXI H,CBCT ; GET INDEX TO CT
3062 19 DAD D ; COMPUTE ADDRESS OF CT
3063 7E MOV A,M ; GET CT
3064 34 INR M ; INC CT
3065 2B DCX H ; DEC TO CC
3066 BE CMP M ; SEE IF EQUAL
3067 CA8430 JZ PCOMP ; IF EQUAL - DONE GO TELL USER
306A 210100 LXI H,CBUF ; GET INDEX TO BUFFER ADDRESS
306D 19 DAD D ; COMPUTE ADDRESS OF BUFFER ADDRESS
306E D5 PUSH D ; SAVE D AND E REGISTERS
306F 5E MOV E,M ; GET LSB OF BUFFER ADDRESS
3070 23 INX H ; INC TO NEXT BYTE
3071 56 MOV D,M ; GET BUFFER MSB
3072 2600 MVI H,00H ; CLEAR H REG
3074 6F MOV L,A ; GET CT
3075 19 DAD D ; COMPUTE CHARACTER ADDRESS
3076 7E MOV A,M ; GET CHARACTER
3077 D3F4 OUT PORTA ; OUTPUT CHARACTER TO PRINTER
3079 3E00 MVI A,STBOF ; RESET DATA STROBE (LOW TRUE SIGNAL)
307B D3F7 OUT CWR ;
307D 3C INR A ; GENERATE SET CONTROL WORD
307E D3F7 OUT CWR ; SET DATA STROBE
3080 D1 POP D ; RESTORE CONTROL BLOCK ADDRESS
3081 C35830 JMP PDATA ; LOOP UNTIL BUSY

;*****
; PRINTER BUSY - RETURN
;*****
PD10:
3084 F3 DI ; DISABLE INTERRUPTS
3085 3E0D MVI A,IEN ; ENABLE DEVICE INTERRUPTS
3087 D3F7 OUT CWR ; SET INTERRUPT ENABLE
3089 C9 RET ; RETURN TO CALLER

;*****
; POST GOOD COMPLETION TO USER
;*****
PCOMP:
308A 3E00 MVI A,STGD ; GET GOOD STATUS CODE
CALL POST ; POST TO USER
308F AF XRA A ; CLEAR A REG
3090 32A230 STA PIPRG+1 ; CLEAR COMMAND IN PROGRESS ADDRESS
3093 C9 RET ; RETURN TO CALLER

;*****
; POST TO USER COMPLETION ROUTINE
;
; INPUTS : STATUS CODE IN A REG
; CONTROL BLOCK ADDRESS IN D AND E REG
;
; OUTPUTS: PASSES CONTROL TO USER COMPLETION ADDRESS
; SPECIFIED IN CONTROL BLOCK
; WITH CONTROL BLOCK ADDRESS IN D AND E
;
; A,H,L,B,C REG MODIFIED
;*****
POST:
3094 EB XCHG
3095 77 MOV M,A ; UPDATE STATUS
3096 EB XCHG
3097 210500 LXI H,CBCMP ; GET INDEX TO COMPLETION ADDRESS
309A 19 DAD D ; COMPUTE ADDRESS
309B 4E MOV C,M ; GET LSB OF COMPLETION ADDRESS
309C 23 INX H ; INC TO NEXT BYTE
309D 46 MOV B,M ; GET MSB OF COMPLETION ADDRESS
309E C5 PUSH B ; PUSH ADDRESS INTO STACK
309F C9 RET ; PASS CONTROL TO USER ROUTINE
30A0 C9 RET ; RETURN TO CALLER

;*****
; DATA AND TABLES
;*****
30A1 0000 PIPRG: DW 0 ; IN PROGRESS CONTROL BLOCK ADDRESS
; IF DATA = 0 NO CONTROL BLOCK IN PROGRESS
; IF DATA NOT EQUAL TO ZERO CONTROL BLOCK IN PROGRESS

;*****
; END OF MODE ONE EXAMPLE
;*****
0000 END
    
```

MODE 2 – 8080 TO 8080 INTERFACE

Due to the drastic reduction of hardware costs, system designs which utilize multiple CPU Modules are becoming more common. An 8080 may be configured as a master CPU and used to control multiple 8080 slave modules which act as intelligent I/O controllers. When multiple CPUs are utilized, a method of processor intercommunication must be supported. Figure 20 is a block diagram of one method of implementing a master/slave interface through the use of the 8255 Mode 2 bidirectional bus.

Hardware Discussion

Two complete 8080 systems are required for this example. Intel's SBC 80/10 OEM board is used as the master CPU module and Intel's SDK 80 board is used as the slave CPU. The SBC 80/10 supports an 8255 which is configured in Mode 2. The 8255 is selected through the use of a decoded select scheme. Through the use of the 8228 RST 7 interrupt feature, a simple interrupt structure is supported. The SDK 80 is configured without interrupts for this example. The external logic required for this example is associated with the slave CPU. Simple logic is implemented which allows the slave CPU to generate the \overline{ACK} and \overline{STB} signals required to READ from and WRITE to the 8255 bidirectional bus with a single I/O instruction.

The system shown in Figure 20 utilizes SSI logic to read the 8255 IBF and \overline{OBF} signals. If two spare 8255 input lines are available they could be used to input the IBF and \overline{OBF} signals and eliminate the SSI logic.

Software Discussion

Two sets of software are required to support the processor to processor interface. The master resident software which follows conforms to the simple interrupt driven software structure outlined previously. The initialization routine issues the Mode 2 control word to the 8255 after device reset. The command processor accepts READ/WRITE control blocks which provide a simple user interface for transferring data to/from the slave CPU. The master software is capable of processing both a read and a write control block simultaneously. The slave resident software shown at the end of this example utilizes the status driven approach.

Summary/Conclusions

It is important to note that this design may be expanded to include more slave CPUs by simply adding another 8255 to the master module for each slave. The software drivers discussed address only the passing of data between the two processors. Specific applications generally dictate a software protocol be implemented for information transfer.

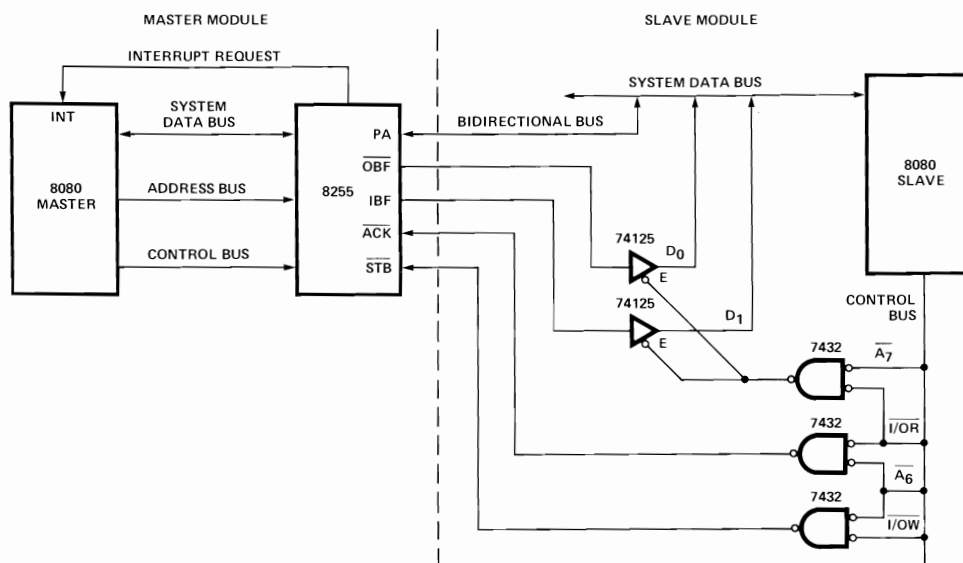
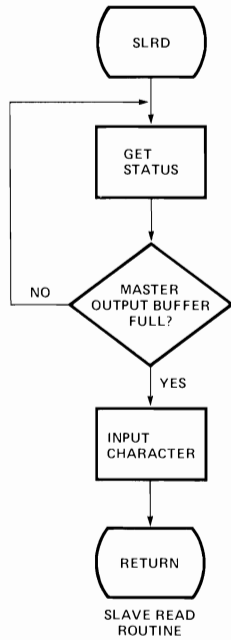
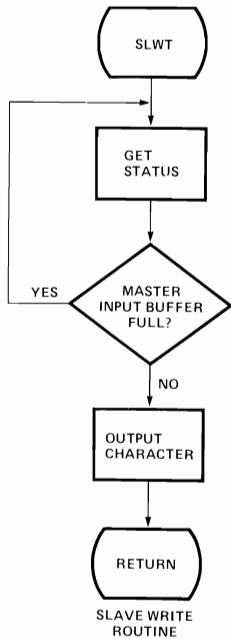


Figure 20. Interface Block Diagram



```

;*****
;
; 8080 MASTER TO 8080 SLAVE INTERFACE
; - SLAVE SOFTWARE -
; MODE TWO EXAMPLE
;
;*****
;
;*****
; PROGRAM EQUATES
;*****
00BF PDATA EQU 0BFH ; INTERPROCESSOR DATA PORT
007F PSTS EQU 07FH ; STATUS
;*****
; BUFFER STATUS MASKS
;*****
0001 OBF EQU 01H ; OUTPUT BUFFER FULL
0002 IBF EQU 02H ; INPUT BUFFER FULL
;*****
; PROGRAM ORIGIN
;*****
3000 ORG 03000H
;*****
; SLAVE READ ROUTINE
;
; INPUTS: NONE
; OUTPUTS: CHARACTER READ IN C-REGISTER
;
; A,C REG MODIFIED
;*****
SLRD:
3000 DB7F IN PSTS ; GET STATUS
3002 E601 ANI OBF ; SEE IF BUFFER FULL
3004 C20030 JNZ SLRD ; NO - LOOP UNTIL FULL
3007 DBBF IN PDATA ; GET CHARACTER
3009 4F MOV C,A ; PLACE IN C-REG
300A C9 RET ; RETURN TO CALLER
  
```



```

;*****
;
; SLAVE WRITE ROUTINE
;
; INPUTS: CHARACTER TO WRITE IN C-REGISTER
; OUTPUTS: NONE
;
; A REG MODIFIED
;*****
SLWT:
300B DB7F IN PSTS ; GET STATUS
300D E602 ANI IBF ; SEE IF BUFFER FULL
300F C20030 JNZ SLWT ; YES - LOOP UNTIL EMPTY
3012 79 MOV A,C ; GET DATA CHARACTER
3013 D3BF OUT PDATA ; OUTPUT DATA
3015 C9 RET ; RETURN TO CALLER
;*****
; END OF SLAVE SOFTWARE DRIVER
;*****
0000 END
  
```



```

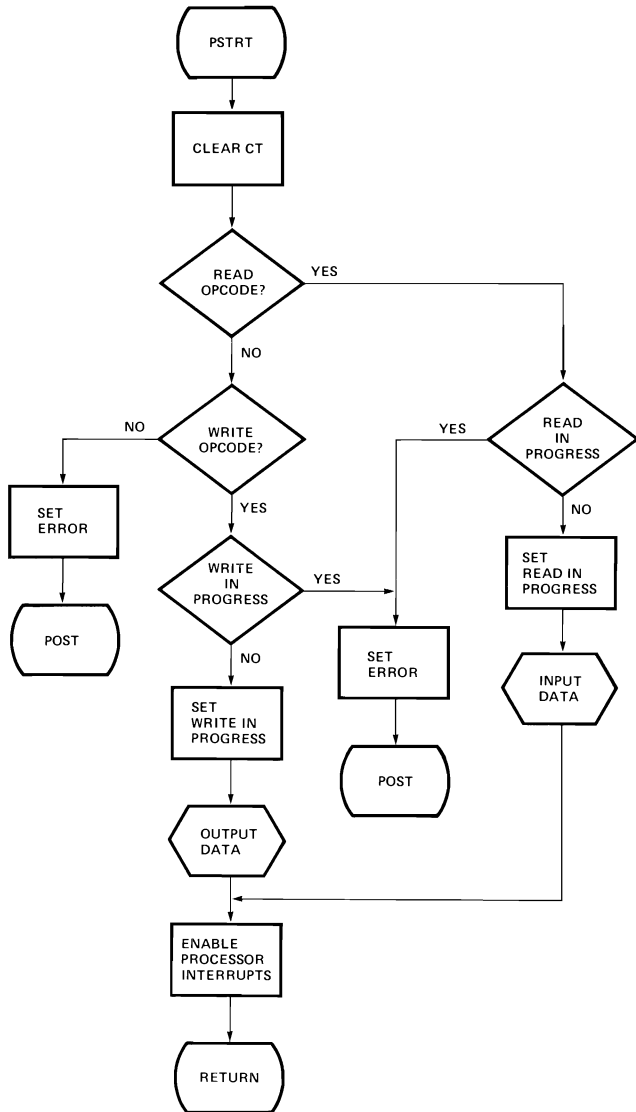
;*****
;
;      TITLE 'MODE TWO EXAMPLE - MASTER SOFTWARE'
;
;      8080 MASTER TO 8080 SLAVE INTERFACE
;      - MASTER SOFTWARE -
;      MODE TWO EXAMPLE
;
;*****
;
;*****
;      PROGRAM EQUATES
;*****
00E4  PORTA EQU 0E4H ; 8255 PORT A
      PORTB EQU 0E5H ; 8255 PORT B
00E6  PORTC EQU 0E6H ; 8255 PORT C
00E7  CWR EQU 0E7H ; 8255 CONTROL WORD REGISTER
0038  RST7 EQU 038H ; RESTART 7 ADDRESS
;
;*****
;
;      INITIALIZATION CONTROL WORD
;
;      USED TO CONFIGURE THE 8255 AS FOLLOWS:
;
;      PORT A - MODE 2 BIDIRECTIONAL BUS
;      PORT B - INPUT MODE 0 (NOT USED)
;      REMAINING PORT C LINES - INPUT MODE (NOT USED)
;
;*****
00CB  ICW EQU 11001011B ; INITIALIZATION CONTROL WORD
;*****
;      8255 ENABLE/DISABLE INTERRUPT CONTROL WORDS
;*****
000D  IENI EQU 00001101B ; ENABLE INPUT INTERRUPTS
0009  IENO EQU 00001001B ; ENABLE OUTPUT INTERRUPTS
000C  IDNI EQU 00001100B ; DISABLE INPUT INTERRUPTS
0008  IDNO EQU 00001000B ; DISABLE OUTPUT INTERRUPTS
;*****
;      STATUS EQUATES
;*****
0008  INTRA EQU 08H ; INTERRUPT REQUEST
0080  OBFA EQU 80H ; OUTPUT BUFFER FULL
0020  IBFA EQU 20H ; INPUT BUFFER FULL

```

```

;*****
;
;      CONTROL BLOCK EQUATES
;*****
0000  CBST EQU 00H ; STATUS BYTE
      CBOP EQU 01H ; OPCODE = 0 READ
; ; OPCODE = 1 WRITE
0002  CBUF EQU 02H ; BUFFER ADDRESS
0004  CBCC EQU 04H ; CHARACTER COUNT
0005  CBCT EQU 05H ; CHARACTER TRANSFERED COUNT
0006  CBCMP EQU 06H ; COMPLETION SERVICE ADDRESS
;*****
;      OPCODE EQUATES
;*****
0000  OPRD EQU 00H ; READ OPCODE
0001  OPWT EQU 01H ; WRITE OPCODE
;*****
;      COMPLETION STATUS EQUATES
;*****
0000  STED EQU 00H ; GOOD COMPLETION
0001  STE1 EQU 01H ; ERROR - COMMAND ALREADY IN PROGRESS
0002  STE2 EQU 02H ; ERROR - INVALID OPCODE
;*****
;      SET UP INTERRUPT VECTOR
;*****
0038  ORG RST7
0038 C34630 JMP PINT ; JUMP TO INTERRUPT SERVICE ROUTINE
;*****
;      PROGRAM ORIGIN
;*****
3000  ORG 03000H
;*****
;
;      INITIALIZATION ROUTINE
;
;      A REGISTER MODIFIED
;
;*****
INIT:
3000 3ECB MVI A,ICW ; GET MODE CONTROL WORD
3002 D3E7 OUT CWR ; OUTPUT TO CONTROL WORD REGISTER
3004 C9 RET ; RETURN TO CALLER

```

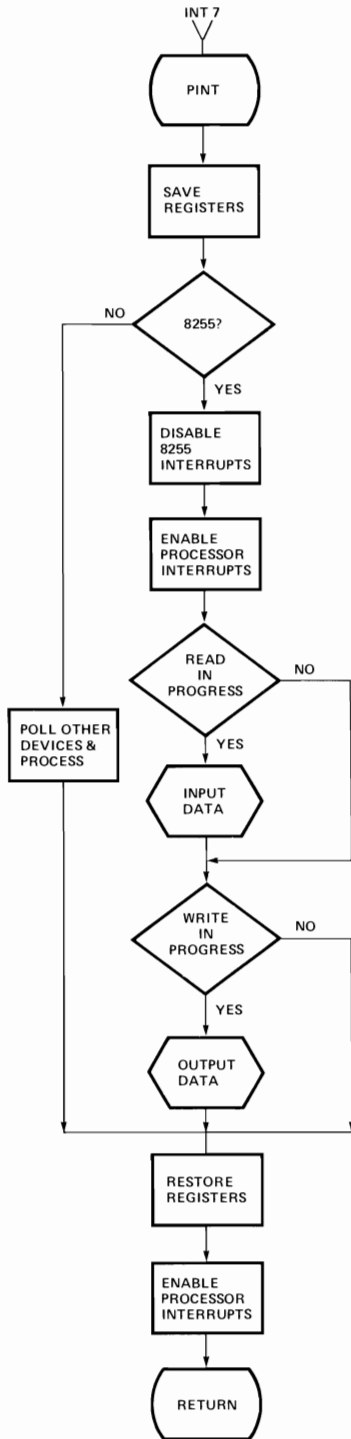


```

;*****
;
; COMMAND PROCESSOR
;
; INPUTS: CONTROL BLOCK ADDRESS IN D AND E REGISTERS
;
; OUTPUTS: START I/O OR ERROR STATUS IN CONTROL BLOCK
; A,H,L MODIFIED
;*****
PSTRT:
3005 210500 LXI H,CBCT ; GET INDEX TO CT
3008 19 DAD D ; COMPUTE ADDRESS OF CT
3009 3600 MVI M,OPRD ; CLEAR CT
300B 210100 LXI H,CBOP ; GET INDEX TO OPCODE
300E 19 DAD D ; COMPUTE ADDRESS
MOV A,M ; GET OPCODE
3010 FE00 CPI 00H ; SEE IF READ
3012 CA2430 JZ PSRD ; YES - GO PROCESS READ
3015 FE01 CPI 0F00H ; SEE IF WRITE
3017 CA3530 JZ PSWT ; YES - GO PROCESS WRITE
;*****
; ERROR - INVALID OPCODE
;*****
301A 3E02 MVI A,STE2 ; GET ERROR STATUS CODE
JMP POST ; CALL COMPLETION ROUTINE
;*****
; ERROR - TRANSACTION ALREADY IN PROGRESS
;*****
PSTE:
301F 3E01 MVI A,STE1 ; GET ERROR STATUS CODE
3021 C3C30 JMP POST ; CALL COMPLETION ROUTINE
;*****
; PROCESS READ COMMAND
;*****
PSRD:
3024 3AE30 LDA PRGRD+1 ; GET READ IN PROGRESS ADDRESS
3027 A7 ANA A ; SEE IF READ IN PROGRESS (TEST FOR ZERO)
3028 C21F30 JNZ PSTE ; IF YES - BRANCH
302B EB XCHG
302C 22E930 SHLD PRGRD ; SAVE CONTROL BLOCK ADDRESS
302F EB XCHG
3030 CD7C30 CALL PIN ; START I/O
3033 FB EI ; ENABLE INTERRUPTS
3034 C9 RET ; RETURN TO CALLER
  
```

```

;*****
;
; PROCESS WRITE COMMAND
;*****
PSWT:
3035 3AEC30 LDA PRGWT+1 ; GET WRITE IN PROGRESS ADDRESS
3038 A7 ANA A ; SEE IF WRITE IN PROGRESS (TEST FOR ZERO)
3039 C21F30 JNZ PSTE ; IF YES - BRANCH
303C EB XCHG
303D 22EB30 SHLD PRGWT ; SAVE CONTROL BLOCK ADDRESS
3040 EB XCHG
3041 CD9C30 CALL POUT ; START I/O
3044 FB EI ; ENABLE INTERRUPTS
3045 C9 RET ; RETURN TO CALLER
  
```



ISIS 8080 MACRO ASSEMBLER, V1.0
 INTERRUPT SERVICE ROUTINE

PAGE 5

```

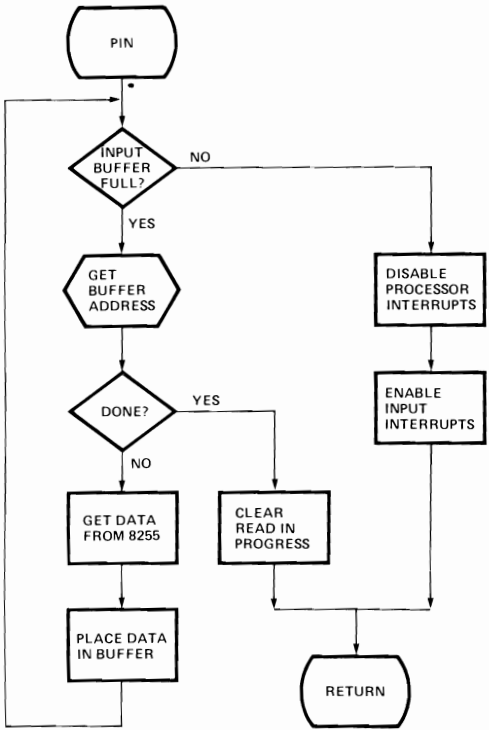
:*****
:
: INTERRUPT SERVICE ROUTINE
: ALL REGISTERS SAVED AND RESTORED
:
:*****
PINT:
3046 F5      PUSH  PSW      ; SAVE PSW
3047 C5      PUSH  B       ; SAVE REGISTER PAIR B AND C
3048 D5      PUSH  D       ; SAVE REGISTER PAIR D AND E
:           PUSH  H       ; SAVE REGISTER PAIR H AND L
:*****
:
: POLL INTERRUPT SOURCE - SEE IF 8255
:*****
304A DBE6    IN      PORTC  ; GET STATUS OF DEVICE
304C E608    ANI     INTRAC ; SEE IF INT
304E CA7630  JZ      PPOLL   ; NO - BRANCH TO POLL OTHER DEVICES IF ANY
3051 3E0C    MVI     A, IDMI  ; GET INPUT INT DISABLE CONTROL WORD
3053 D3E7    OUT     CWR    ; DISABLE DEVICE INTERRUPTS
3055 3E08    MVI     A, IDNO  ; GET OUTPUT INT DISABLE CONTROL WORD
3057 D3E7    OUT     CWR    ; DISABE DEVICE INTERRUPTS
3059 FB      EI         ; ENABLE PROCESSOR INTERRUPTS
305A 2AE930  LHLD   PRGRD   ; GET READ CONTROL BLOCK
305D AF      XRA     A       ; CLEAR A REG
305E BC      CMP     H       ; SEE IF READ IN PROGRESS
305F CA6530  JZ      PINT1   ; NO - BRANCH
3062 CD7C30  CALL   PIN     ; DO INPUT
:
PINT1:
3065 2AE830  LHLD   PRGWT   ; GET WRITE CONTROL BLOCK
3068 AF      XRA     A       ; CLEAR A REG
3069 BC      CMP     H       ; SEE IF WRITE IN PROGRESS
306A CA7030  JZ      PRTN   ; NO - BRANCH
306D CD9C30  CALL   POUT    ; DO OUTPUT
:*****
:
: RESTORE REGISTERS AND RETURN FROM INTERRUPT
:*****
PRTN:
3070 E1      POP   H       ; RESTORE REGISTER PAIR H AND L
3071 D1      POP   D       ; RESTORE REGISTER PAIR D AND E
3072 C1      POP   B       ; RESTORE REGISTER PAIR B AND C
3073 F1      POP   PSW    ; RESTORE PSW
3074 FB      EI         ; ENABLE PROCESSOR INTERRUPTS
3075 C9      RET        ; RETURN TO INTERRUPTED PROCESS
  
```

ISIS 8080 MACRO ASSEMBLER, V1.0
 INTERRUPT SERVICE ROUTINE

PAGE 6

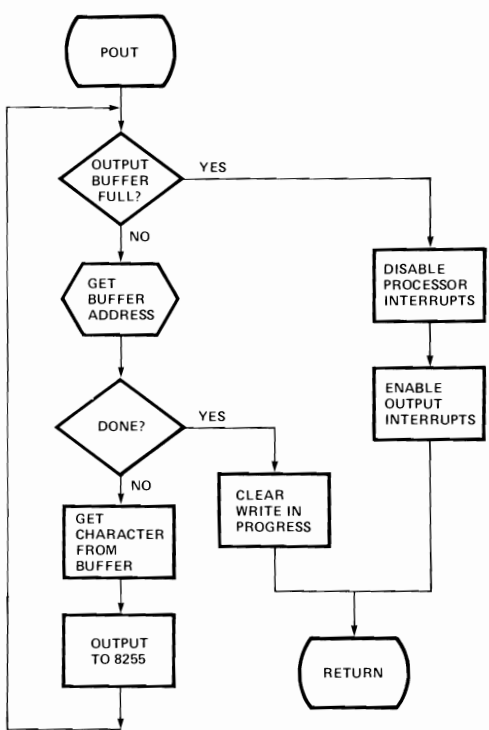
```

:*****
:
: POLL OTHER DEVICES IF ANY
: IF NO OTHER DEVICES TO POLL - USER SUPPLIED ERROR
: RECOVERY ROUTINE.
:
:*****
PPOLL:
3076 C37030 JMP    PRTN    ; RETURN
:*****
:
: ERROR - INTERRUPT FROM IDLE DEVICE
: USER SUPPLIED ERROR RECOVERY ROUTINE
:*****
PIER1:
3079 C37030 JMP    PRTN    ; RETURN
  
```



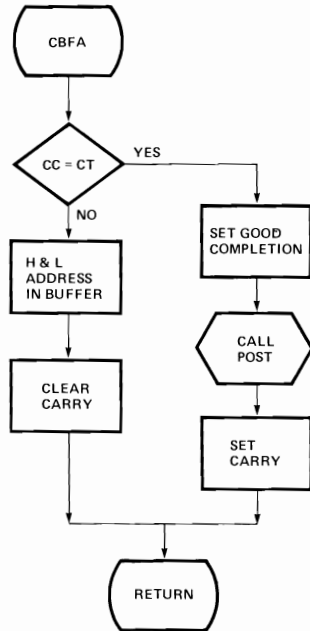
```

;*****
;***** INPUT DATA ROUTINE
;*****
PIN:
307C DBE6      IN      PORTC ; GET STATUS OF DEVICE
307E E620      ANI     IBFA  ; SEE IF INPUT BUFFER FULL
3080 CA9630    JZ      PRTI  ; NO - BRANCH
3083 CDBC30    CALL   CBFA  ; GET ADDRESS IN BUFFER
3086 DAF30    JC      PIDON  ; IF DONE - BRANCH
3089 DBE4      IN      PORTA ; GET DATA
308B 77        MOV     M,A   ; PLACE IN BUFFER
308C C37C30    JMP     PIN   ; LOOP
;*****
;***** END OF INPUT TRANSACTION
;*****
PIDON:
308F AF        XRA     A      ; CLEAR A
3090 32EA30    STA     PRGRD-1 ; CLEAR READ IN PROGRESS
3093 C39630    JMP     PRTI  ; RETURN
;*****
;***** RETURN FROM INPUT
;*****
PRTI:
3096 F3        DI         ; DISABLE PROCESSOR INTERRUPTS
3097 3E0D      MVI     A,IENI  ; GET ENABLE INPUT INTERRUPTS CONTROL WORD
3099 D3E7      OUT     CWR  ; OUTPUT TO CONTROL WORD REGISTER
309B C9        RET
  
```



```

;*****
;***** OUTPUT DATA ROUTINE
;*****
POUT:
309C DBE6      IN      PORTC ; GET PORTC STATUS
309E E620      ANI     IBFA  ; SEE IF OUTPUT BUFFER FULL
30A3 CDBC30    CALL   CBFA  ; SET UP ADDRESS OF DATA
30A6 DAF30    JC      PODON  ; IF DONE - BRANCH
30A9 7E        MOV     A,M   ; GET DATA FROM BUFFER
30AA D3E4      OUT     PORTA ; OUTPUT DATA
30AC C39C30    JMP     POUT  ; LOOP
;*****
;***** END OF OUTPUT TRANSACTION
;*****
PODON:
30AF AF        XRA     A      ; CLEAR A REG
30B0 32EC30    STA     PRGWT-1 ; CLEAR WRITE IN PROGRESS
30B3 C3B630    JMP     PRTO  ; RETURN
;*****
;***** RETURN FROM OUTPUT
;*****
PRTO:
30B6 F3        DI         ; DISABLE PROCESSOR INTERRUPTS
30B7 3E09      MVI     A,IENO  ; GET ENABLE OUTPUT INTERRUPTS CONTROL WORD
30B9 D3E7      OUT     CWR  ; OUTPUT TO CONTROL WORD REGISTER
30BB C9        RET
  
```



Setup Buffer Address Subroutine

```

;*****
;
;***** COMPUTE BUFFER ADDRESS ROUTINE
;*****
CBFA:
30BC 210500 LXI H,CBCT ; GET INDEX TO CT
30BF 19 DAD D ; COMPUTE ADDRESS OF CT
30C0 7E MOV A,M ; GET CT
30C1 34 INR M ; INC CT
30C2 2B DCX H ; DEC TO CC
30C3 BE CMP M ; SEE IF EQUAL
30C4 CAD530 JZ PCOMP ; IF EQUAL - DONE GO TELL USER
30C7 210200 LXI H,CBUF ; GET INDEX TO BUFFER ADDRESS
30CA 19 DAD D ; COMPUTE ADDRESS OF BUFFER ADDRESS
30CB D5 PUSH D ; SAVE D AND E REGISTERS
30CC 5E MOV E,M ; GET LSB OF BUFFER ADDRESS
30CD 23 INX H ; INC TO NEXT BYTE
30CE 56 MOV D,M ; GET BUFFER MSB
30CF AC XRA H ; CLEAR H REG
30D0 6F MOV L,A ; GET CT
30D1 19 DAD D ; COMPUTE CHARACTER ADDRESS
30D2 D1 POP D ; RESTORE CONTROL BLOCK ADDRESS
30D3 AF XRA A ; CLEAR CARRY
30D4 C9 RET ; RETURN TO CALLER
    
```

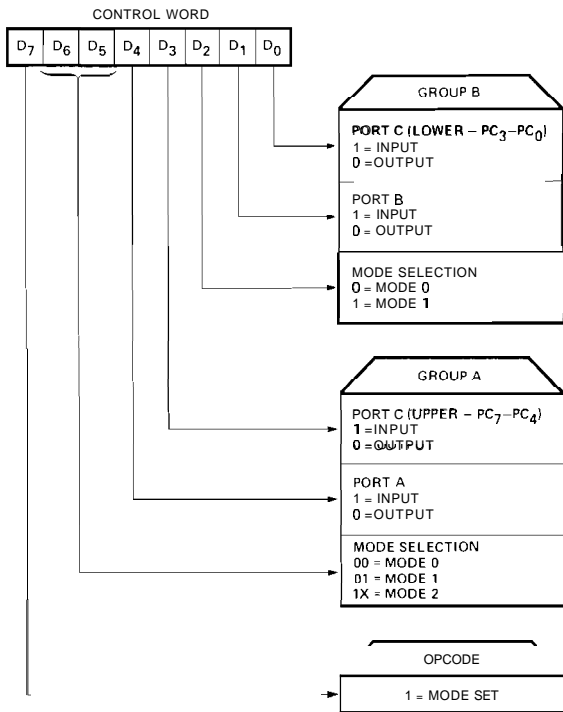
```

;*****
;
;***** POST GOOD COMPLETION TO USER
;*****
PCOMP:
30D5 3E00 MVI A,STGD ; GET GOOD STATUS CODE
30D7 CDDC30 CALL POST ; CALL USER ROUTINE
30DA 37 STC ; SET CARRY
30DB C9 RET ; RETURN TO CALLER

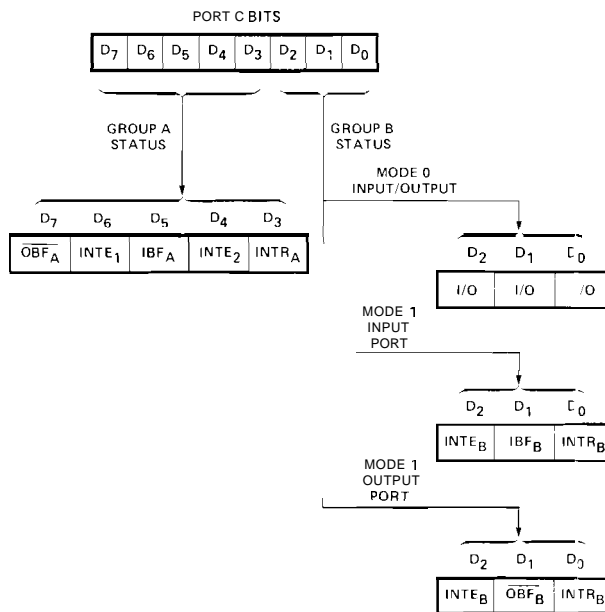
;*****
;
;***** POST TO USER COMPLETION ROUTINE
;
;
; INPUTS : STATUS CODE IN A REG
; CONTROL BLOCK ADDRESS IN D AND E REG
;
; OUTPUTS: PASSES CONTROL TO USER COMPLETION ADDRESS
; SPECIFIED IN CONTROL BLOCK
;
;*****
POST:
30DC EB XCHG
30DD 77 MOV M,A ; UPDATE STATUS
30DE EB XCHG
30DF 210600 LXI H,CBCMP ; GET INDEX TO COMPLETION ADDRESS
30E2 19 DAD D ; COMPUTE ADDRESS
30E3 4E MOV C,M ; GET LSB OF COMPLETION ADDRESS
30E4 23 INX H ; INC TO NEXT BYTE
30E5 46 MOV B,M ; GET MSB BYTE OF COMPLETION ADDRESS
30E6 C5 PUSH B ; PUSH ADDRESS INTO STACK
30E7 C9 RET ; PASS CONTROL TO USER ROUTINE
30E8 C9 RET ; RETURN TO CALLER

;*****
;
;***** DATA AND TABLES
;
;
; IF DATA NON ZERO CONTROL BLOCK IN PROGRESS
;
;*****
30E9 0000 PRGND: DW 0 ; IN PROGRESS READ CONTROL BLOCK
30EB 0000 PRGWT: DW 0 ; IN PROGRESS WRITE CONTROL BLOCK
;*****
;*****
;***** END OF MASTER SOFTWARE DRIVER
;*****
0000 END
    
```

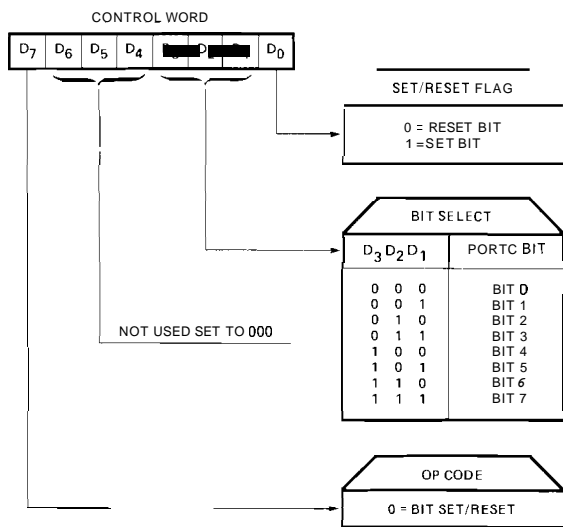
APPENDIX A – 8255 QUICK REFERENCE



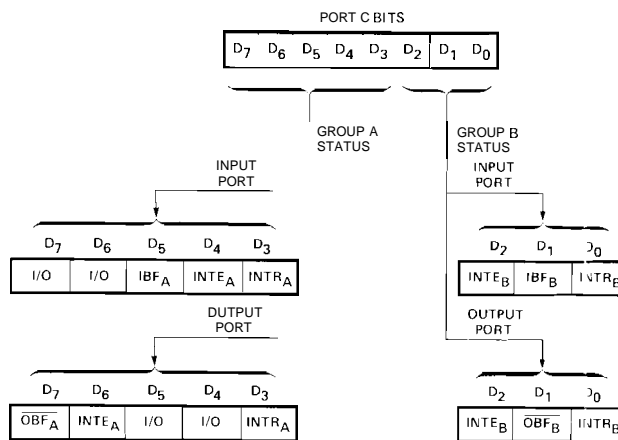
MODE CONTROL WORD



MODE 1 STATUS WORD

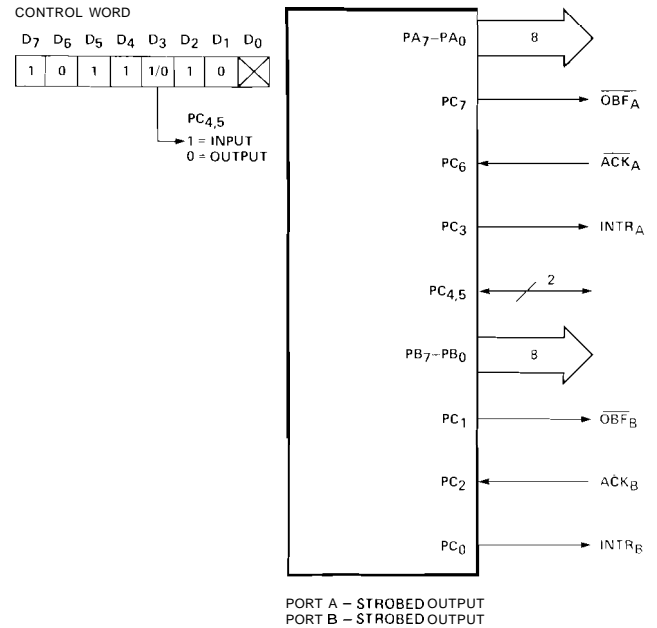
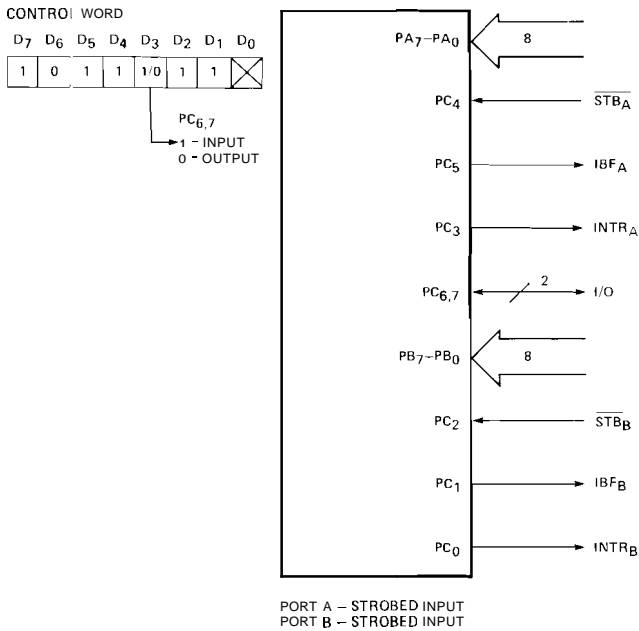
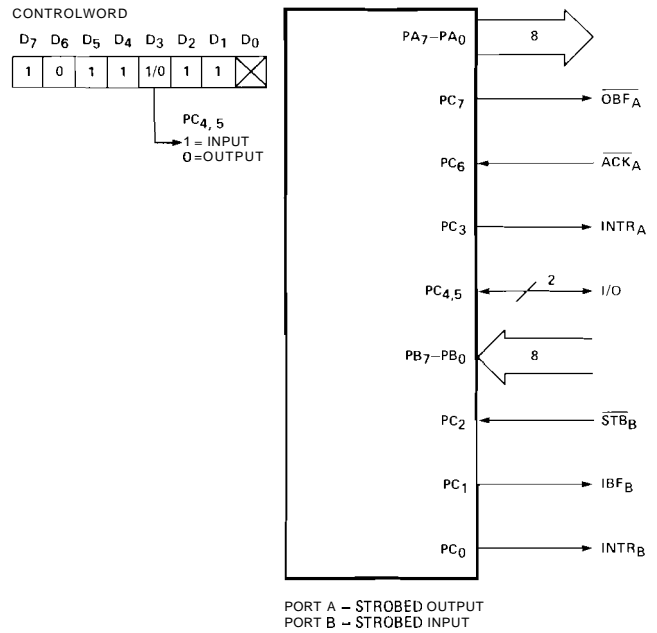
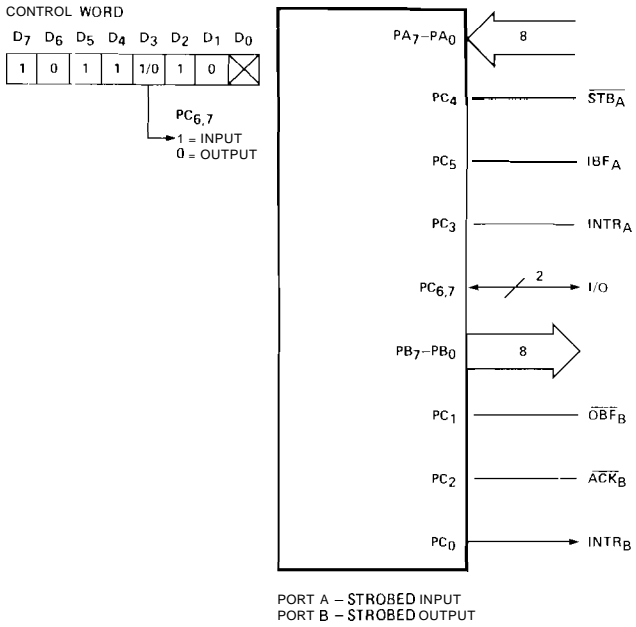


BIT SET/RESET CONTROL WORD

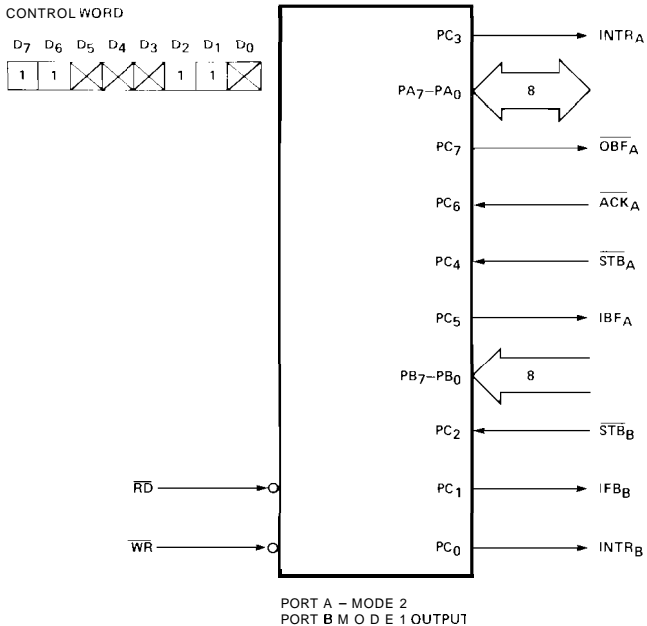
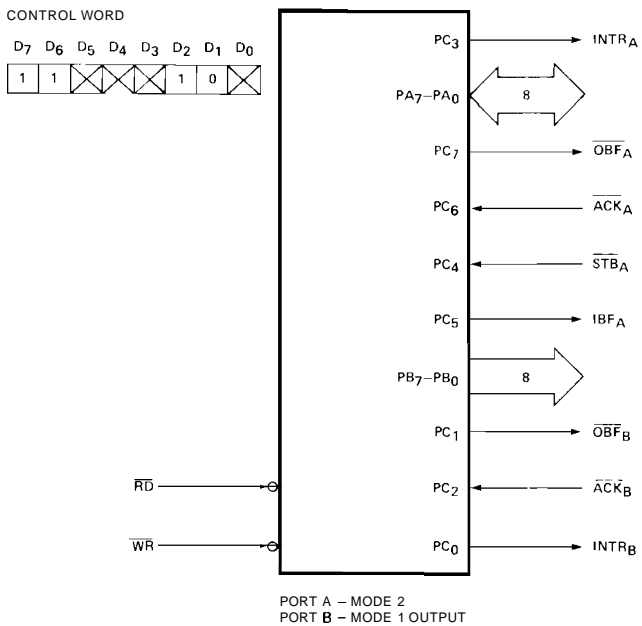
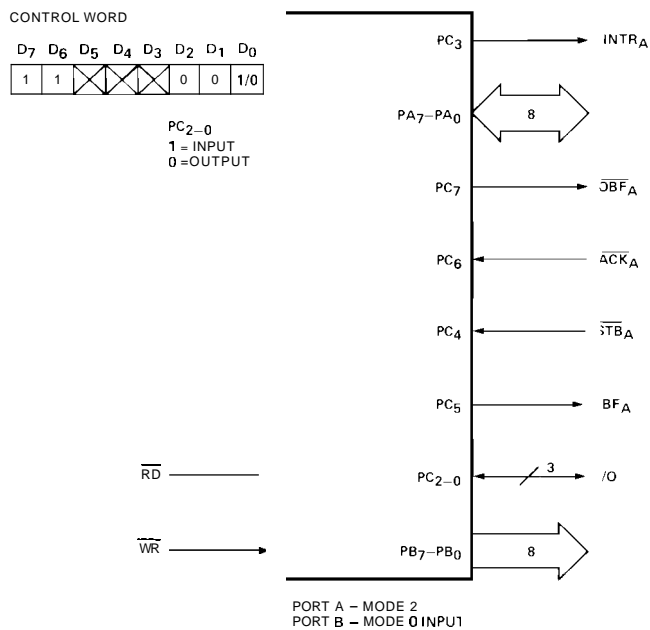
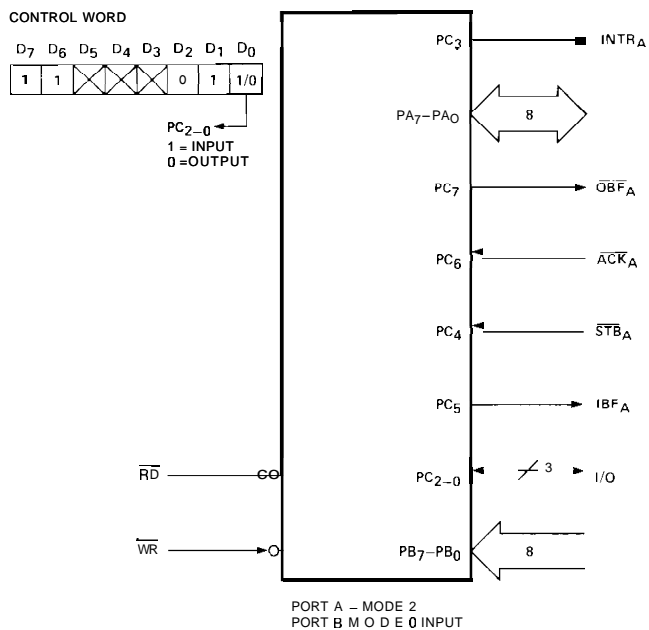


MODE 2 STATUS WORD

MODE 1 CONFIGURATIONS



MODE 2 CONFIGURATIONS



U.S. AND CANADIAN SALES OFFICES

ALABAMA
Barnhill and Associates
7844 Horseshoe Trail
Huntsville 35802
Tel: (205) 883-9394

ARIZONA
Sales Engineering, Inc.
7155 E. Thomas Road, No. 6
Scottsdale 85252
Tel: (602) 945-5781
TWX: 910-950-1288

CALIFORNIA
Intel Corp.*
990 E. Arques Ave.
Suite 112
Sunnyvale 94086
Tel: (408) 738-3870
TWX: 910-339-9279

Mac-I
P.O. Box 1420
Cupertino 95014
Tel: (408) 257-9880

Earle Associates, Inc.
4433 Convoy Street
Suite A
San Diego 92111
Tel: (714) 278-5441
TWX: 910-335-1585

Intel Corp.*
1651 East 4th Street
Suite 228
Santa Ana 92701
Tel: (714) 835-9642
TWX: 910-595-1114

COLORADO
Intel Corp.
12075 East 45th Avenue
Suite 310
Denver 80239
Tel: (303) 373-4920
TWX: 910-932-0322

FLORIDA
Intel Corp.
1090 NE 27th Terrace
Pompano Beach 33062
Tel: (305) 781-7450
TWX: 510-956-9407

FLORIDA (cont.)
Intel Corp.
5151 Adanson Street, Suite 200-3
Orlando 32804
Tel: (305) 628-2393
TWX: 810-853-9219

ILLINOIS
Intel Corp.*
900 Jorie Boulevard
Suite 138
Oakbrook 60521
Tel: (312) 325-9510
TWX: 910-651-5881

IOWA
Technical Representatives, Inc.
1703 Hillside Drive
Cedar Rapids
Tel: (319) 396-5662

KANSAS
Technical Representatives, Inc.
801 Clairborne
Olathe 66061
Tel: (913) 782-1177
TWX: 910-749-6412

MARYLAND
Barnhill and Associates
57 West Timonium Road
Timonium 21093
Tel: (301) 252-7742

Intel Corp.*
57 West Timonium Road
Suite 307
Timonium 21093
Tel: (301) 252-7742
TWX: 710-232-1807

MASSACHUSETTS
Datcom
55 Moody Street
Waltham 02154
Tel: (617) 891-4600
TELE: 92-3462

Intel Corp.*
187 Billerica Road, Suite 14A
Chelmsford 01824
Tel: (617) 861-1136
TWX: 710-343-6333

MICHIGAN
Intel Corp.
725 South Adams Road
Suite 288
Birmingham 48011
Tel: (313) 642-7018
TWX: 910-420-1212
TELEX: 2.31143

MINNESOTA
Intel Corp.
675 Southgate Office Plaza
5001 West 80th Street
Bloomington 55437
Tel: (612) 835-6722
TWX: 910-576-2367

MISSOURI
Technical Representatives, Inc
Trade Center Bldg.
300 Brookes Drive, Suite 108
Hazelwood 63042
Tel: (314) 731-5200
TWX: 910-762-0618

NEW JERSEY
Intel Corp.
2 Kilmer Road
Edison 08817
Tel: (201) 985-9100
TWX: 710-480-6238

NEW YORK
Intel Corp.*
6901 Jericho Turnpike
Syosset 11791
Tel: (516) 364-9860
TWX: 510-221-2198

Intel Corp.
474 Thurston Road
Rochester, N.Y. 14619
Tel: (716) 328-7340
TWX: 510-253-3841
T-Squared
3522 James Street
Syracuse 13206
Tel: (315) 463-8592
TWX: 710 541-0554

NEW YORK (cont.)
T-Squared
640 Craig Road
P.O. Box W
Pittsford 14534
Tel: (716) 331-2551
TELEX: 97-8289
Intel Corp.
55 Market Street
Poughkeepsie, New York 12601
Tel: (914) 473-2303
TWX: 510-248-0060

NORTH CAROLINA
Barnhill and Associates
913 Plateau Lane
Raleigh 27609
Tel: (919) 876-5617

OHIO
Intel Corp.*
8312 North Main Street
Dayton 45415
Tel: (513) 890-5350
TELEX: 288-004

Intel Corp.*
27801 Euclid Ave.
Suite 450
Euclid 44132
Tel: (218) 289-0101

PENNSYLVANIA
Vantage Sales Company
21 Bala Avenue
Bala Cynwyd 19004
Tel: (215) 667-0990
TWX: 510-662-5846

Intel Corp.*
1777 Walton Rd.
Suite 328A
Blue Bell 19422
Tel: (215) 542-9444
TWX: 510-661-0709

TENNESSEE
Barnhill and Associates
206 Chickasaw Drive
Johnson City 37601
Tel: (615) 923-0184

TEXAS
Evans & McDowell Associates
13777 N. Central Expressway
Suite 405
Dallas 75231
Tel: (214) 238-7157
TWX: 910-867-4763

NORTH CAROLINA
Evans & McDowell Associates
6610 Harwin Avenue, Suite 125
Houston 77036
Tel: (713) 783-2900

Intel Corp.*
6350 L.B.J. Freeway
Suite 173
Dallas 75240
Tel: (214) 661-8829
TWX: 910-860-5487

VIRGINIA
Barnhill and Associates
P.O. Box 1104
Lynchburg 24505
Tel: (804) 846-4624

WASHINGTON
E.S./Chase Co.
P.O. Box 80903
Seattle 98108
Tel: (206) 762-4824
Twx: 910-444-2298

CANADA
Multitek, Inc.
4 Barren Street
Ottawa, Ontario K2J 1G1
Tel: (613) 325-4695
TELEX: 053-4585

EUROPEAN MARKETING OFFICES

BELGIUM
Intel International*
Rue du Moulin à Papier
51-Boite 1
B-1160 Brussels
Tel: (02) 660 30 10
TELEX: 24814

FRANCE
Intel Corporation, S.A.R.L.*
74, Rue D'Arcueil
Sjlic 223
94528 Rungis Cedex
Tel: (01) 687 22 21
TELEX: 270475

SCANDINAVIA
Intel Scandinavia A/S*
Lyngbyvej 32 2nd Floor
DK-2100 Copenhagen East
Denmark
Tel: (01) 18 20 00
TELEX: 19567
Intel Sweden AB*
Box 86
S-16212 Vällingby 1
Sweden
Tel: (08) 37 53 70
TELEX: 13164 (ABCENT)

ENGLAND
Intel Corporation (U.K.) Ltd.*
Broadfield House
4 Between Towns Road
Cowley, Oxford OX4 3NB
Tel: (0865) 77 14 31
TELEX: 837203

Intel Corporation (U.K.) Ltd.
46-50 Beam Street
Nantwich, Cheshire CW5 5LJ
Tel: (0270) 62 65 60
TELEX: 36620

GERMANY
Intel Semiconductor GmbH*
Wolfratshausenstrasse 1c/9
D8 Munich 71
Tel: (089) 79 89 23
TELEX: 5-212870

Intel Semiconductor GmbH
D-6272 Niedernhausen
Wiesenweg 26
Tel: (06127) 2314
TELEX: 04186183

Intel Semiconductor GmbH
D-7000 Stuttgart 80
Ernstthaldestrasse 17
Tel: (0711) 7351506
TELEX: 7255346

ORIENT MARKETING OFFICES

JAPAN
Intel Japan Corporation*
Flower Hill-Shinmachi East Bldg.
1-23-9, Shinmachi, Setaqaya-ku
Tokyo 154
Tel: (03) 426-9261
TELEX: 781-28426

HONG KONG
Q1 (Far East) Ltd.
Tak Yan Commercial Bldg. 6th floor
30-32 D'Aguilar Street, Central
Hong Kong
Tel: 5-260311
TELEX: 33133 JADE HX

TAIWAN
Taiwan Automation Co.*
8th Floor, 140, Section 1
Chung Hsiao E. Road
Taipei
Tel: 393-1115
TELEX: 11942 TAIJATO

TAIWAN (cont.)
Asionics-Taiwan, Inc
205 Pa-Teh Road, Section 4
Taipei
Tel: 75 55 82
TELEX: 22158 Asionics

INTERNATIONAL DISTRIBUTORS

AUSTRALIA
A. J. Ferguson (Adelaide) PTY Ltd
44 Prospect Rd
Prospect 5082
South Australia
Tel: 269-1244
TELEX: 82635

FINLAND
Oy Fintronic AB
Karjalankatu 2C
SF 00520
Helsinki 52
Tel: (90) 664 451
TELEX: 12426

HONG KONG
ASTEC International
Keystone House, 2nd Floor
Hankow Road, Kowloon
Tel: 3-687760
TELEX: 74899 ASCOM

JAPAN
Pan Electron
No. 1 Higashikata-Machi
Midori-Ku, Yokohama 226
Tel: (045) 471-8811
TELEX: 781-4773

SWEDEN
Nordisk Elektronik AB
Fack
S-10380 Stockholm 7
Tel: (08) 248340
TELEX: 10547

AUSTRIA
Bacher Elektronische Gerate GmbH
Meidlinger Hauptstrasse 78
A 1120 Vienna
Tel: (0222) 83 63 96
TELEX: (01) 1532

FRANCE
Tekelec Airtronic
Cite des Bruyeres
Rue Carle Vernet
92310 Sevres
Tel: (1) 027 75 35
TELEX: 250997

ISRAEL
Telsys Ltd.
54, Jabotinsky Road
IL-Ramat - Gan 52 464
Tel: (3) 73 98 65
TELEX: 32392

NETHERLANDS
Inelco Nederland
AFD Elektronik
Joan Muyskenweg 22
NL-1006 Amsterdam
Tel: (020) 934824
TELEX: 14622

SWITZERLAND
Industrade AG
Gemsenstrasse 2
Postcheck 80 - 21190
CH-8021 Zurich
Tel: (01) 60 22 30
TELEX: 56783

BELGIUM
Inelco Belgium S A
Avenue Val Duchesse 3
B-1160 Brussels
Tel: (02) 660 00 12
TELEX: 25441

GERMANY
Alfred Neye Enatechnik GmbH
Schillerstrasse 14
D-2085 Quickborn-Hamburg
Tel: (04106) 6121
TELEX: 02-13590

Eastronics Ltd.
11 Rozanis Street
P O Box 39300
Tel-Aviv
Tel: 475151
TELEX: 33638

NORWAY
Nordisk Elektronik (Norge) A/S
Mustacs Vei 1
N-Oslo 2
Tel: (02) 55 38 93
TELEX: 16963

UNITED KINGDOM
Rapid Recall, Ltd.
11-15 Betterton Street
Drury Lane
London WC2H 9BS
Tel: (01) 379-6741
TELEX: 28752

DENMARK
Scandinavian Semiconductor
Supply A/S
Nannasgade 18
DK-2200 Copenhagen N
Tel: (01) 93 50 90
TELEX: 19037

Electronic 2000 Vertriebs GmbH
Neumarketer Strasse 75
D-8000 Muenchen 80
Tel: (089) 434061
TELEX: 484426
Jermyn GmbH
Postfach 1146
D 6277 Kamberg
Tel: (06434) 6005
TELEX: 484426

ITALY
Eledra 3S S.P.A.
Viale Elvezia, 18
20154 Milan.
Tel: (02) 3493041
TELEX: 39332
Eledra 3S S.P.A.
Via Giuseppe Valmarana, 63
00139 Rome, Italy
Tel: (06) 31 27 290 - 81 27 324

SOUTH AFRICA
Electronic Building Elements
P.O. Box 4609
Pretoria
Tel: 78 92 21
TELEX: 30181

G.E.C. Semiconductors Ltd
East Lane
Wembley HA9 7PP
Middlesex
Tel: (01) 904-9303
TELEX: 923429

SPAIN
Interface
Ronda General Mitre 17
E-Barcelona 17
Tel: (93) 203-53-30
TELEX: 52838

Jermyn Industries
Bestry, Sevenoaks Road
Sevenoaks, Kent.
Tel: (0732) 51174
TELEX: 95143

*Field Application Location

U.S. AND CANADIAN DISTRIBUTORS

ALABAMA

†Hamilton/Avnet Electronics
805 Oser Drive NW
Huntsville 35805
Tel: (205) 533-1170

ARIZONA

Cramer/Arizona
2643 East University Drive
Phoenix 85034
Tel: (602) 263-1112

Hamilton/Avnet Electronics
2615 South 21st Street
Phoenix 85034
Tel: (602) 275-7851

Liberty/Arizona
3130 N. 27th Avenue
Phoenix 85107
Tel: (602) 257-1272
TELEX: 910-951-4282

CALIFORNIA

†Hamilton/Avnet Electronics
575 E. Middlefield Road
Mountain View 94040
Tel: (415) 961-7000

†Hamilton/Avnet Electronics
8917 complex Drive
San Diego 92123
Tel: (714) 279-2421

†Hamilton Electro Sales
10912 W Washington Boulevard
Culver City 90230
Tel: (213) 558-2121

†Cramer/San Francisco
720 Palomar Avenue
Sunnyvale 94086
Tel: (408) 739-3011

†Cramer/Los Angeles
1720 Daimler Street
Irvine 92705
Tel: (714) 979-3000

Cramer/San Diego
8975 Complex Drive
San Diego 92123
Tel: (714) 565-1881

†Liberty Electronics
124 Maryland Street
El Segundo 90245
Tel: (213) 322-8100
Tel: (714) 638-7601
TWX: 910-348-7140

Liberty/San Diego
8248 Mercury Court
San Diego 92111
Tel: (714) 565-9171
TELEX: 910-335-1590

Eimar Electronics
2288 Charleson Road
Mountain View 94040
Tel: (415) 961-3611
TELEX: 910-379-6437

COLORADO

Cramer/Denver
5465 E. Evans Pl. at Hudson
Denver 80222
Tel: (303) 758-2100

Eimar/Denver
6777 E. 50th Avenue
Commerce City 80022
Tel: (303) 287-9611
TWX: 910-936-0770

†Hamilton/Avnet Electronics
5921 No. Broadway
Denver 80216
Tel: (303) 534-1212

CONNECTICUT

Cramer/Connecticut
35 Dodge Avenue
North Haven 06473
Tel: (203) 239-5641

Components Plus
361 W. State
Westport 08880
Tel: (203) 226-4731

Hamilton/Avnet Electronics
643 Danbury Road
Georgetown 08829
Tel: (203) 762-0361

FLORIDA

Cramer/E.W. Hollywood
4035 No. 29th Avenue
Hollywood 33020
Tel: (305) 923-8181

†Hamilton/Avnet Electronics
4020 No. 29th Ave.
Hollywood 33021
Tel: (305) 925-5401

†Cramer/EW Orlando
345 No. Graham Ave
Orlando 32814
Tel: (305) 894-1511

GEORGIA

Cramer/EW Atlanta
3923 Oakcliff Industrial Center
Atlanta 30340
Tel: (404) 448-9050

Hamilton/Avnet Electronics
6700 I 85. Access Road, Suite 2B
Norcross 30071
Tel: (404) 448-0800

ILLINOIS

†Cramer/Chicago
1911 So. Busse Rd.
Mt. Prospect 60056
Tel: (312) 593-8230

†Hamilton/Avnet Electronics
3901 No. 25th Ave.
Schiller Park 60176
Tel: (312) 676-6310

INDIANA

Pioneer/Indiana
6408 Castleplace Drive
Indianapolis 46250
Tel: (317) 547-7777

Sheridan Sales Co.
8790 Purdue Road
Indianapolis 46268
Tel: (317) 297-3146

KANSAS

Hamilton/Avnet Electronics
37 Lenexa Industrial Center
9900 Pflumm Road
Lenexa 66215
Tel: (913) 888-8900

MARYLAND

Cramer/EW Baltimore
7235 Standard Drive
Hanover 21076
Tel: (301) 796-5790

†Cramer/EW Washington
16021 Industrial Drive
Gaithersburg 20760
Tel: (301) 948-0110

†Hamilton/Avnet Electronics
7235 Standard Drive
Hanover 21076
Tel: (301) 796-5000

MASSACHUSETTS

†Cramer Electronics Inc.
85 Wells Avenue
Newton 02159
Tel: (617) 969-7700

†Hamilton/Avnet Electronics
100 E. Commerce Way
Woburn 01801
Tel: (617) 273-2120

MICHIGAN

Sheridan Sales Co.
24543 Indoplex Drive
Farmington Hills 48024
Tel: (313) 477-3800

†Pioneer/Michigan
13485 Stamford
Livonia 48150
Tel: (313) 729-8500

†Hamilton/Avnet Electronics
12870 Farmington Road
Livonia 48150
Tel: (313) 522-4700
TWX: 810-242-8775

MINNESOTA

†Industrial Components
5280 West 74th Street
Minneapolis 55435
Tel: (612) 831-2666

Cramer/Bonn
7275 Bush Lake Road
Edina 55435
Tel: (612) 835-7811

†Hamilton/Avnet Electronics
7683 Washington Avenue So.
Edina 55435
Tel: (612) 941-3801

MISSOURI

†Hamilton/Avnet Electronics
364 Brookes Lane
Hazelwood 63042
Tel: (314) 731-1144

NEW JERSEY

Cramer/Pennsylvania, Inc.
12 Springdale Road
Cherry Hill Industrial Center
Cherry Hill 08003
Tel: (609) 424-5993

TWX: 710-896-0908
Components Plus
310 Railroad Avenue
Hackensack 07601
Tel: (201) 487-0565

NEW JERSEY (cont.)

†Hamilton/Avnet Electronics
218 Little Falls Road
Cedar Grove 07009
Tel: (201) 239-0800
TWX: 710-994-5787

Cramer/New Jersey
No. 1 Barrett Avenue
Moonachie 07074
Tel: (201) 935-5600

†Hamilton/Avnet Electronics
113 Gailher Drive
East Gate Industrial Park
Mt. Laurel 08057
Tel: (609) 234-2133
TWX: 710-897-1405

NEW MEXICO

Hamilton/Avnet Electronics
2450 Baylor Drive. S.E.
Albuquerque 87119
Tel: (505) 765-1500
Cramer/New Mexico
137 Vermont, N.E.
Albuquerque 87108
Tel: (505) 265-5767

NEW YORK

Cramer/Rochester
3000 Winton Road South
Rochester 14623
Tel: (716) 275-0300

Components Plus
40 Oser Avenue
Hauppauge 11787
Tel: (516) 231-9200

†Hamilton/Avnet Electronics
6716 Joy Road
Rochester 14623
Tel: (716) 442-7820

†Cramer/Syracuse
13057 East Syracuse 13057
Tel: (315) 437-6671

†Hamilton/Avnet Electronics
6500 Joy Road
E. Syracuse 13057
Tel: (315) 437-2642

†Cramer/Long Island
29 Oser Avenue
Hauppauge, L.I. 11787
Tel: (516) 231-5600
TWX: 510-227-9863

†Hamilton/Avnet Electronics
70 State Street
Westbury, L.I. 11590
Tel: (516) 333-5800
TWX: 510-222-8237

NORTH CAROLINA

Cramer Electronics
938 Burke Street
Winston-Salem 27102
Tel: (919) 725-8711

OHIO

†Hamilton/Avnet Electronics
118 Westpark Road
Dayton 45459
Tel: (513) 433-0610
TWX: 810-450-2531

†Pioneer/Dayton
1900 Troy Street
Dayton 45404
Tel: (513) 236-9900

†Sheridan Sales Co
10 Knollcrest Drive
Cincinnati 45222
Tel: (513) 761-5432
TWX: 810-461-2670

†Pioneer/Cleveland
4800 E. 131st Street
Cleveland 44105
Tel: (216) 587-3600

†Hamilton/Avnet Electronics
761 Beta Drive
Cleveland 44143
Tel: (216) 461-1400

Sheridan Sales Co.
23224 Commerce Park Road
Beachwood 44122
Tel: (216) 831-0130

Sheridan Sales Co.
Shiloh Building, Suite 250
5045 North Main Street
Dayton 45405
Tel: (513) 277-8911

OKLAHOMA

Components Specialties, Inc.
7920 E. 40th Street
Tulsa 74145
Tel: (918) 664-2820

OREGON

Almac/Stroum Electronics
4475 S.W. Scholis Ferry Rd.
Portland 97225
Tel: (503) 292-3534

PENNSYLVANIA

Sheridan Sales Co.
1717 Penn Avenue, Suite 5009
Pittsburgh 15221
Tel: (412) 244-1640

Pioneer/Pittsburgh
560 Alpha Drive
Pittsburgh 15238
Tel: (412) 782-2300

TEXAS

Cramer Electronics
13740 Midway Road
Dallas 75240
Tel: (214) 661-9300

†Hamilton/Avnet Electronics
4445 Sigma Road
Dallas 75240
Tel: (214) 661-8661

†Hamilton/Avnet Electronics
1216 W. Clay
Houston 77019
Tel: (713) 526-4661

Component Specialties, Inc.
10907 Shady Trail, Suite 101
Dallas 75220
Tel: (214) 357-4576

†Component Specialties, Inc.
7313 Ashcroft Street
Houston 77036
Tel: (713) 771-7237

UTAH

Cramer/Utah
391 W. 2500 South
Salt Lake City 84115
Tel: (801) 487-4131

Hamilton/Avnet Electronics
647 W. Billinis Road
Salt Lake City 84119
Tel: (801) 262-8451

WASHINGTON

†Hamilton/Avnet Electronics
13407 Northrup Way
Bellevue 98005
Tel: (206) 746-8750

†Almac/Stroum Electronics
5811 Sixth Ave. South
Seattle 98108
Tel: (206) 763-2300

Cramer/Seattle
1059 Andover Park East
Tukwila 98188
Tel: (206) 575-0907

CANADA

ALBERTA

L. A. Varah Ltd.
4742 14th Street N.E.
Calgary T2E 6L7
Tel: (403) 276-8818
Telex: 13 825 89 77

BRITISH COLUMBIA

†L.A. Varah Ltd.
2077 Alberta Street
Vancouver V5Y 1C4
Tel: (604) 873-3211
TWX: 610-929-1068
Telex: 04 53167

ONTARIO

Cramer/Canada
920 Ainess Avenue, Unit No. 9
Downsview
Toronto 392 M3J 2H7
Tel: (416) 661-9222
TWX: 610-492-6210

Hamilton/Avnet Electronics
6291-16 Dorman Road
Mississauga L4V 1H2
Tel: (416) 677-7432
TWX: 610-492-8867

Hamilton/Avnet Electronics
1735 Courtwood Cresc.
Ottawa K2C 2B4
Tel: (613) 226-1700
TWX: 610 562-1906

QUEBEC

†Hamilton/Avnet Electronics
2670 Paulus
St. Laurent H4S 1G2
Tel: (514) 331-6443
TWX: 610-421-3731

MANITOBA

L.A. Varah Ltd.
153 Corbett Drive
Winnipeg R2Y 1V4
Tel: (204) 889-9607

†MDS Centers