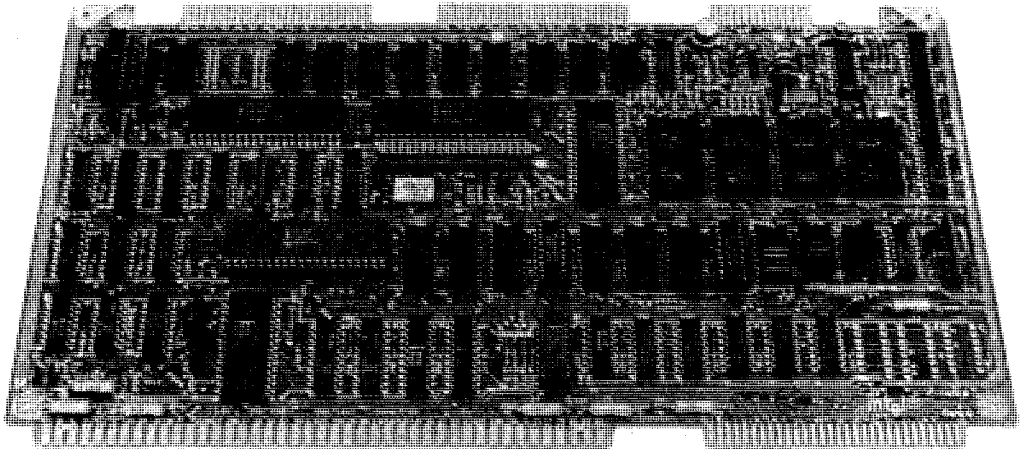




iSBC® 80/10B SINGLE BOARD COMPUTER

- 8080A CPU Used as Central Processing Unit
- One iSBX™ Bus Connector for iSBX™ MULTIMODULE™ Board Expansion
- 1K Byte of Read/Write Memory with Sockets for Expansion up to 4K Bytes
- Sockets for up to 16K Bytes of Read Only Memory
- 48 Programmable Parallel I/O Lines with Sockets for Interchangeable Line Drivers and Terminators
- Programmable Synchronous/Asynchronous Communications Interface with Selectable RS232C or Teletypewriter Compatibility
- Single Level Interrupt with 11 Interrupt Sources
- Auxiliary Power Bus and Power-Fail Interrupt Control Logic for RAM Battery Backup
- 1.04 Millisecond Interval Timer
- Limited Master MULTIBUS® Interface

The Intel iSBC 80/10B board is a member of Intel's complete line of OEM microcomputer systems which take full advantage of Intel's LSI technology to provide economical, self-contained computer-based solutions for OEM applications. The iSBC 80/10B board is a complete computer system on a single 6.75 x 12.00-inch printed circuit card. The CPU, system clock, iSBX bus interface, read/write memory, read only memory sockets, I/O ports and drivers, serial communications interface, bus control logic, and drivers all reside on the board.



280217-1

FUNCTIONAL DESCRIPTION

Intel's powerful 8-bit n-channel MOS 8080A CPU, fabricated on a single LSI chip, is the central processor for the iSBC 80/10B board. The 8080A contains six 8-bit general purpose registers and an accumulator. The six general purpose registers may be addressed individually or in pairs, providing both single and double precision operators. A block diagram of iSBC 80/10B board functional components is shown in Figure 1.

iSBX™ Bus MULTIMODULE™ Board Expansion

The new iSBX bus interface brings an entirely new dimension to system design offering incremental on-board expansion with small iSBX boards. One iSBX bus connector interface is provided to accomplish plug-in expansion with any iSBX MULTIMOD-

ULE board. iSBX boards are available to provide expansion equivalent to the I/O available on the iSBC 80/10B board or the user may configure entirely new functionality such as math directly on-board. The iSBX 350 programmable I/O MULTIMODULE board provides 24 I/O lines using an 8255A programmable peripheral interface. Therefore, the iSBX 350 module together with the iSBC 80/10B board may offer 72 lines of programmable I/O. Alternately, a serial port may be added using the iSBX 351 serial I/O multimodule board or math may be configured on-board with the iSBX 332 floating point math MULTIMODULE board.

The iSBX board is a logical extension of the on-board programmable I/O and is accessed by the iSBC 80/10B single board computer as common I/O port locations. The iSBX board is coupled directly to the 8080A CPU and therefore becomes an integral element of the iSBC 80/10B single board computer providing optimum performance.

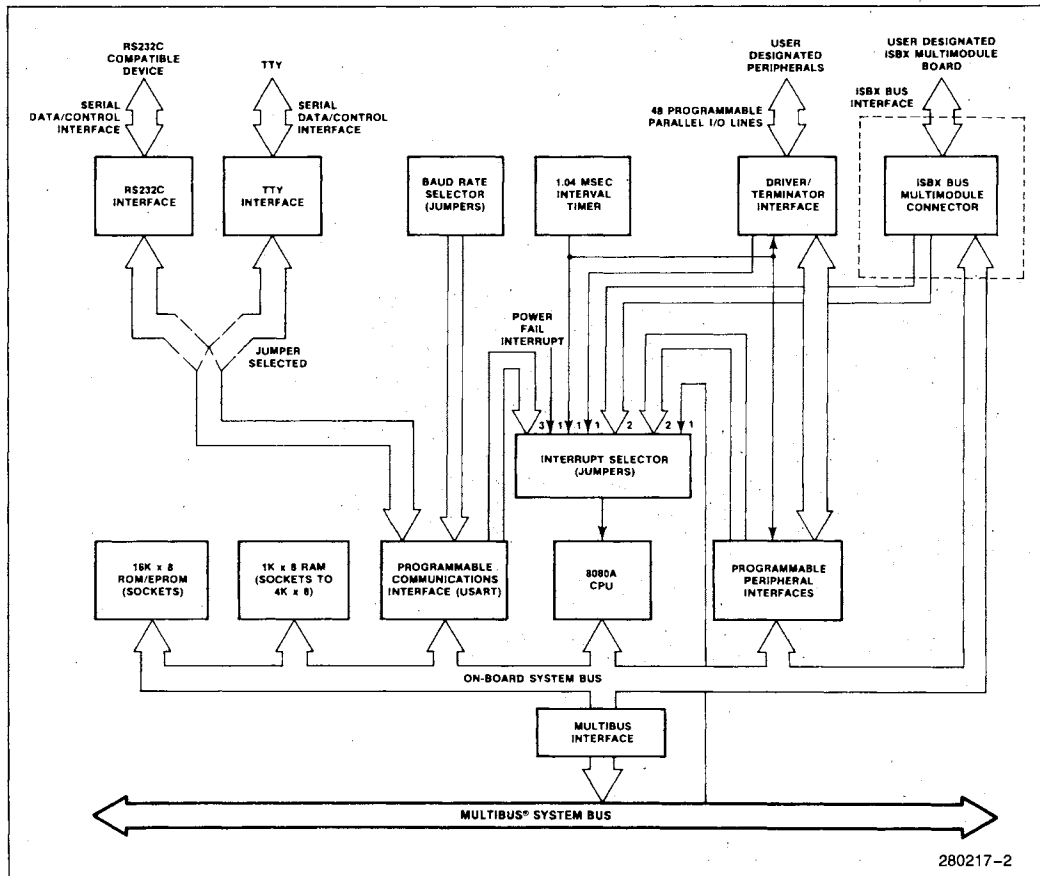


Figure 1. iSBC® 80/10B Single Board Computer Block Diagram

Memory Addressing

The 8080A has a 16-bit program counter which allows direct addressing of up to 64K bytes of memory. An external stack, located within any portion of read/write memory, may be used as a last-in/first-out storage area for the contents of the program counter, flags, accumulator, and all of the six general purpose registers. A 16-bit stack pointer controls the addressing of this external stack. This stack provides subroutine nesting bounded only by memory size.

Memory Capacity

The iSBC 80/10B board contains 1K bytes of read/write static memory. In addition, sockets for up to 4K bytes of RAM memory are provided on board. Read/write memory may be added in 1K byte increments using two 1K x 4 Intel 2114A-5 static RAMs. All on-board RAM read and write operations are performed at maximum processor speed. Sockets for up to 16K bytes of nonvolatile read-only-memory are provided on the board. Read-only-memory may be added in 1K byte increments up to 4K bytes (using Intel 2708 or 2758); in 2K byte increments up to 8K bytes (using Intel 2716); or in 4K byte increments up to 16K bytes (using Intel 2732). All on-board ROM or EPROM read operations are performed at maximum processor speed.

Parallel I/O Interface

The iSBC 80/10B board contains 48 programmable parallel I/O lines implemented using two Intel 8255A programmable peripheral interfaces. The system software is used to configure the I/O lines in any combination of unidirectional input/output, and bidirectional ports indicated in Table 1. Therefore, the I/O interface may be customized to meet specific peripheral requirements. In order to take full advantage of the large number of possible I/O configurations, sockets are provided for interchangeable I/O line drivers and terminators. Hence, the flexibility of the I/O interface is further enhanced by the capability of selecting the appropriate combination of optional line drivers and terminators to provide the required sink current, polarity, and drive/termination characteristics for each application. The 48 programmable I/O lines and signal ground lines are brought out to two 50-pin edge connectors that mate with flat cable or round cable.

Serial I/O Interface

A programmable communications interface using the Intel 8251A Universal Synchronous/Asynchronous Receiver/Transmitter (USART) is contained on the board. A jumper selectable baud rate generator provides the USART with all common communications frequencies. The USART can be programmed

Table 1. Input/Output Port Modes of Operation

Port	Lines (Qty)	Mode of Operation					
		Unidirectional				Bidirectional	Control
		Input		Output			
		Unlatched	Latched & Strobed	Latched	Latched & Strobed		
1	8	X	X	X	X	X	
2	8	X	X	X	X		
3	8	X		X			X(1)
4	8	X		X			
5	8	X		X			
6	4	X		X			
	4	X		X			

NOTE:

1. Port 3 must be used as a control port when either port 1 or port 2 are used as a latched and strobed input or a latched and strobed output port or port 1 is used as a bidirectional port.

by the system software to select the desired synchronous or asynchronous serial data transmission technique (including IBM Bi-Sync). The mode of operation (i.e., synchronous or asynchronous), data format, control character format and parity are all under program control. The 8251A provides full duplex, double-buffered transmit and receive capability. Parity, overrun, and framing error detection are all incorporated in the USART. The inclusion of jumper selectable TTY or RS232C compatible interfaces on the board, in conjunction with the USART, provides a direct interface to teletypes, CRTs, RS232C compatible cassettes, and asynchronous and synchronous modems. The RS232C or TTY command lines, serial data lines, and signal ground lines are brought out to a 26-pin edge connector that mates with RS232C compatible flat or round cable.

Interrupt Capability

Interrupt requests may originate from 11 sources. Two jumper selectable interrupt requests can be automatically generated by the programmable peripheral interface when a byte of information is ready to be transferred to the CPU (i.e., input buffer is full) or a byte of information has been transferred to a peripheral device (i.e., output buffer is empty). Three jumper selectable interrupt requests can be automatically generated by the USART when a character is ready to be transferred to the CPU (i.e., receive channel buffer is full), a character is ready to be transmitted (i.e., the USART is ready to accept a character from the CPU), or when the transmitter is empty (i.e., the USART has no character to transmit). These five interrupt request lines are all maskable under program control. Two interrupt request lines may be interfaced directly to user designated peripheral devices; one via the MULTIBUS system bus and the other via the I/O edge connector. One jumper selectable interrupt request may be interfaced to the power-fail interrupt control logic. One jumper selectable interrupt request may originate from the interval timer. Two general purpose interrupt requests are jumper selectable from the iSBX interface. These two signals permit a user installed MULTIMODULE board to interrupt to 8080A CPU. The eleven interrupt request lines share a single CPU interrupt level. When an interrupt request is recognized, a restart instruction (RESTART 7) is generated. The processor responds by suspending program execution and executing a user defined interrupt service routine originating at location 38₁₆.

Power-Fail Control

A power-fail interrupt may be detected through the AC-low signal generated by the power supply. This signal may be configured to interrupt the 8080A CPU to initiate an orderly power down instruction sequence.

Interval Timer

A 1.04 millisecond timer is available for interval interrupts or as a clock output to the parallel I/O connector. The timer output is jumper selectable to the programmable parallel interface, the parallel I/O connector (J1), or directly to the 8080A CPU.

MULTIBUS® System Expansion Capabilities

Memory and I/O capacity may be expanded and additional functions added using Intel MULTIBUS™ system compatible expansion boards. Memory may be expanded to 65,536 bytes by adding user specified combinations of RAM boards, EPROM boards, or combination boards. Input/output capacity may be increased by adding digital I/O and analog I/O expansion boards. In addition, the iSBC 80/10B board performs as a limited bus master in that it must occupy the lowest priority when used with other MULTIBUS masters. The bus master may take control of the MULTIBUS system bus by halting the iSBC 80/10B board program execution. Mass storage capability may be achieved by adding single density diskette, double density diskette, or hard disk controllers. Modular expandable backplanes and cardcages are available to support multiboard systems.

SPECIFICATIONS

Word Size

Instruction: 8, 16, or 24 bits
Data: 8 bits

Cycle Time

Basic Instruction Cycle: 1.95 μ s

NOTE:

Basic instruction cycle is defined as the fastest instruction (i.e., four clock cycles).



Memory Addressing

On-Board ROM/EPROM

- 0-0FFF using 2708, 2758
- 0-1FFF using 2716
- 0-3FFF using 2732

On-Board RAM

- 3C00-3FFF with no RAM expansion
- 3000-3FFF with 2114A-5 expansion

NOTE:

All RAM configurations are automatically moved up to a base address of 4XXX when configuring EPROM for 2732.

Memory Capacity

On-Board ROM/EPROM

16K bytes (sockets only)

On-Board RAM

1K byte with user expansion in 1K increments to 4K byte using Intel 2114A-5 RAMs.

Off-Board Expansion

Up to 64K bytes using user specified combinations of RAM, ROM, and EPROM.

I/O Addressing

On-Board Programmable I/O

Device	I/O Address
8255 No. 1	
Port A	E4
Port B	E5
Port C	E6
Control	E7
8255 No. 2	
Port A	E8
Port B	E9
Port C	EA
Control	EB
8251A	
Data	EC
Control	ED
iSBX Multimodule	
MCS0	F0-F7
MCS1	F8-FF

Serial Baud Rates

Frequency (kHz) (Jumper Selectable)	Baud Rate (Hz)	
	Synchronous	Asynchronous (Program Selectable)
307.2	—	÷ 16 ÷ 64 19200 4800
153.6	—	9600 2400
76.8	—	4800 1200
38.4	38400	2400 600
19.2	19200	1200 300
9.6	9600	600 150
6.98	6980	— 110
4.8	4800	300 75

Connectors

Interface	Double-Sided Pins (Qty)	Centers (in.)	Mating Connectors
MULTIBUS System	86	0.156	Viking 2KH43/9AMK12 Wire-wrap
iSBX Bus	36	0.1	iSBX 960-5
Parallel I/O (2)	50	0.1	3M 3415-000 Flat
Serial I/O	26	0.1	AMP 87194-6 Flat

I/O Capacity

Parallel: 48 programmable lines
 Serial: 1 transmit, 1 receive
 MULTIMODULE: 1 iSBX Bus MULTIMODULE Board

Serial Communications Characteristics

Synchronous: 5–8 bit characters; internal or external character synchronization; automatic sync insertion
 Asynchronous: 5–8 bit characters; break character generation; 1, 1½, or 2 stop bits; false start bit detectors

Interrupts

Single-level with on-board logic that automatically vectors the processor to location 38H using a restart instruction (RESTART 7). Interrupt requests may originate from user specified I/O (2); the programmable peripheral interface (2); the iSBX MULTIMODULE board (2); the programmable communications interface (3); the power fail interrupt (1); or the interval timer (1).

Electrical Characteristics

DC Power Requirements

Voltage	Without EPROM(1)	With 2708 EPROM(2)	With 2758, 2716, or 2732 EPROM(3)	Power Down Requirements (RAM and Support Circuit)
V _{CC} = +5V ±5%	I _{CC} = 2.0A(4)	3.1A	3.46A	84 mA + 140 mA/K (2114A-5)
V _{DD} = +12V ±5%	I _{DD} = 150 mA	400 mA	150 mA	Not Required
V _{BB} = -5V ±5%	I _{BB} = 2 mA	200 mA	2 mA	Not Required
V _{AA} = -12V ±5%	I _{AA} = 175 mA	175 mA	175 mA	Not Required

NOTES:

- Does not include power required for optional ROM/EPROM, I/O drivers, or I/O terminators.
- With four Intel 2708 EPROMS and 220Ω/330Ω for terminators, installed for 48 input lines. All terminator inputs low.
- Same as #2 except with four 2758s, 2716s, or 2732s installed.
- I_{CC} shown without RAM supply current. For 2114-5 add 140 mA per K byte to a maximum of 560 mA.

Interfaces

MULTIBUS: All signals TTL compatible
 iSBX Bus: All signals TTL compatible
 Parallel I/O: All signals TTL compatible
 Serial I/O: RS232C or a 20 mil current loop TTY interface (jumper selectable)
 Interrupt Requests: All TTL compatible (active-low)

Clocks

System Clock: 2.048 MHz ±0.1%
 Interval Timer: 1.042 ms ±0.1% (959.5 Hz)

Physical Characteristics

Width: 12.00 in (30.48 cm)
 Height: 6.75 in. (17.15 cm)
 Depth: 0.05 in. (1.27 cm)
 Weight: 14 oz. (397.3 gm)

Line Drivers and Terminators

I/O Drivers: The following line drivers and terminators are all compatible with the I/O driver sockets on the iSBC 80/10B Board:

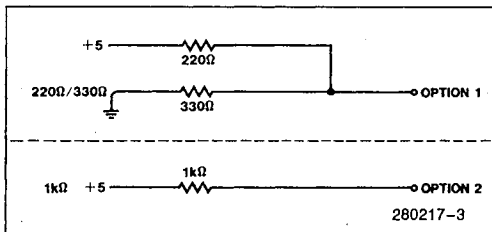
Driver	Characteristic	Sink Current (mA)
7438	I, OC	48
7437	I	48
7432	NI	16
7426	I, OC	16
7409	NI, OC	16
7408	NI	16
7403	I, OC	16
7400	I	16

NOTE:

I—inverting, NI—non-inverting, OC—open collector.

Port 1 has 25 nA totem pole drivers and 1 kΩ terminators.

I/O Terminators: 220Ω/330Ω divider or 1 kΩ pull up.



MULTIBUS® Drivers

Function	Characteristic	Sink Current (mA)
Data	Tri-State	25
Address	Tri-State	25
Commands	Tri-State	25

Environmental Characteristics

Operating Temperature: 0°C to 55°C

Equipment Supplied

iSBC 80/10B Single Board Computer
iSBC 80/10B Schematics

Reference Manual

9803119-01— iSBC 80/10B Single Board Computer Hardware Reference Manual (NOT SUPPLIED).

Manuals may be ordered from any Intel sales representative, distributor office or from Intel Literature Department, 3065 Bowers Avenue, Santa Clara, California 95051.

ORDERING INFORMATION

Part Number Description

iSBC80/10B Single Board Computer