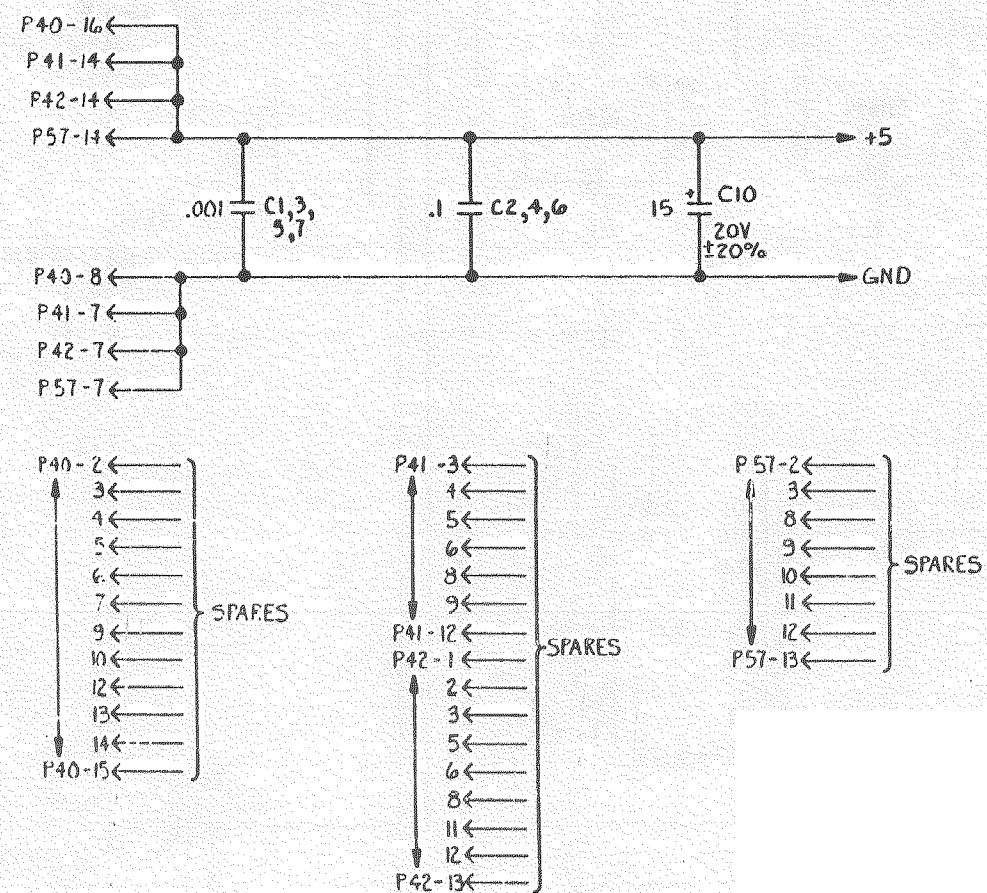


THIS DRAWING CONTAINS INFORMATION WHICH IS THE PROPRIETARY PROPERTY OF INTEL CORPORATION. THIS DRAWING IS RECEIVED IN CONFIDENCE AND ITS CONTENTS MAY NOT BE DISCLOSED OUTSIDE THE FIELD OR TO ANY OTHER COMPANY OF INTEL CORPORATION.

| DEVICE TABLE         |             |            |     |                                  |
|----------------------|-------------|------------|-----|----------------------------------|
| REFERENCE DESIGNATOR | DEVICE TYPE | POWER PINS |     | UNUSED LOGIC ELEMENT OUTPUT PINS |
|                      |             | GND        | -5V |                                  |
| U7                   | 74132       | 7          | 14  | U7-6                             |
| U2                   | 74157       | 8          | 16  |                                  |
| U3,11                | 74574       | 7          | 14  | U8-8,9                           |
| U4,10                | 745112      | 8          | 16  |                                  |
| U12                  | 745124      | 9          | 16  |                                  |
| U5                   | 741501      | 7          | 14  |                                  |
| U6                   | 741502      | 7          | 14  |                                  |
| U9                   | 7432        | 7          | 14  | U9-8,11                          |
| U3                   | 7415393     | 7          | 14  |                                  |
| U1                   | 5/02        | 8          | 16  |                                  |
| RPI                  | 2.2K        |            |     | RPI-5,6,8                        |

| REVISIONS |             |     |         |          |         |       |
|-----------|-------------|-----|---------|----------|---------|-------|
| REV       | DESCRIPTION | DFT | DATE    | CHK      | DATE    | APVD  |
| A         | ECO 14-1188 | D   | 5-26-60 | J. J. H. | 6-21-60 | P. C. |



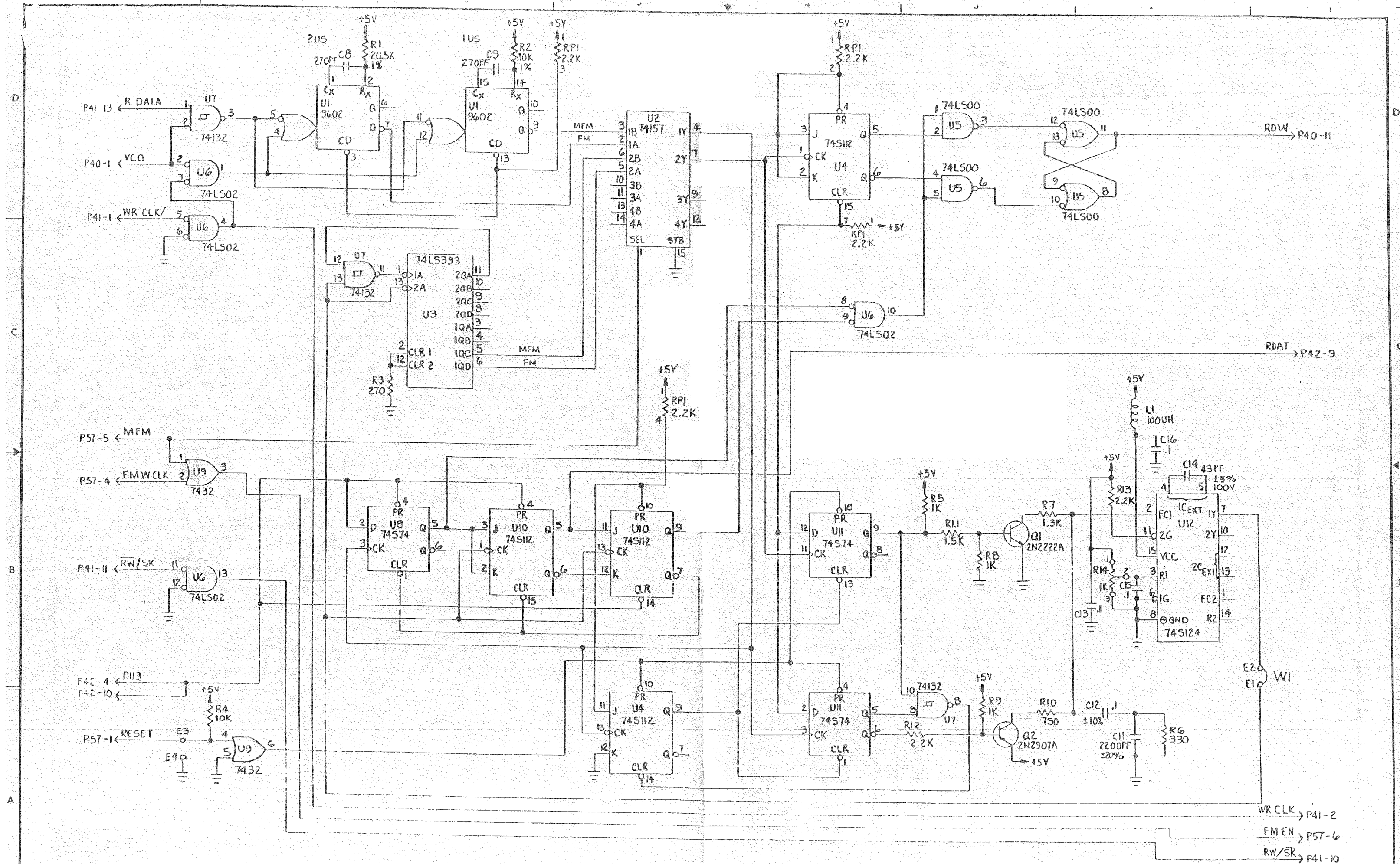
NOTES: UNLESS OTHERWISE SPECIFIED  
 1. ALL CAPACITOR VALUES ARE IN MICROFARADS, +80%, -20%, 50V.  
 2. ALL RESISTOR VALUES ARE IN OHMS, 1/4 W, 5%.

|                |          |
|----------------|----------|
| P57            | P1-P39   |
| W2             | P43-P56  |
| RPI            |          |
| E4             |          |
| L1             |          |
| Q2             |          |
| C16            |          |
| R14            |          |
| U12            |          |
| LAST USED      | NOT USED |
| REF DESIGNATOR |          |

1631060-001  
 ASSEMBLIES USING  
 THIS SCHEMATIC

| QUANTITY PER DASH NO.        |  | ITEM NO.                    |  | DESCRIPTION                                    |  |
|------------------------------|--|-----------------------------|--|--|--|
|                              |  |                             |  | PARTS LIST                                     |  |
| UNLESS OTHERWISE SPECIFIED:  |  | SIGNATURE                   |  | DATE   |  |
| 1. DIMENSIONS ARE IN INCHES. |  | DRN BY R. J. [Signature]    |  | 5-26-60  |  |
| 2. BREAK ALL SHARP EDGES.    |  | CHK BY K. J. [Signature]    |  | 6-21-60  |  |
| 3. DO NOT SCALE DRAWING.     |  | ENGR APVD D. C. [Signature] |  | 6-21-60  |  |
| 4. TOLERANCES:               |  | APVD                        |  | TITLE  |  |
| ANGLES ±                     |  |                             |  | SCHEMATIC,<br>DATA SEPARATOR                   |  |
| XXX ±                        |  | APVD                        |  | 3065 BOWERS AVE<br>SANTA CLARA<br>CALIF. 95051 |  |
| REF DESIGNATOR               |  |                             |  | SIZE DCLC CL CODE RLS LVL DOCUMENT NUMBER REV  |  |
|                              |  |                             |  | D 14 0100 1631060 2 A                          |  |
|                              |  |                             |  | SCALE — SHEET 1 OF 2                           |  |

MASTER



MASTER