

Release Notes for  
Installation of the  
iSXM8845X Communications Controller Board  
and the  
iVPM8845 Virtual Protocol Machine Feature  
July 1985

READ

THIS

FIRST

- \* The iDB facility is a version of Mistress, a trademark of Rhodnius, Inc.
- \* The iDB Report Writer is a version of M-Writer, a trademark of Rhodnius, Inc.
- \* The iMENU facility is a version of /menus, a trademark of Schmidt Associates.
- \* The iPLAN facility is a version of Multiplan, a registered trademark of Microsoft(R) Corporation.
- \* The iWORD facility is a version of Horizon Wordprocessing, a trademark of Horizon Software Systems, Inc.
- \* The operating system is a version of XENIX, a trademark of Microsoft(R) Corporation.
- \* UNIX is a trademark of AT&T Bell Laboratories.
- \* The iGRAPH facility is a version of Graphwriter, a registered trademark of Graphic Communications, Inc.

TABLE OF CONTENTS

	<u>page</u>
PART 1: INTRODUCTION . . . . .	1-1
PART 2: RELEASE CONTENTS . . . . .	2-1
PART 3: INSTALLING THE HOST-LINK COMMUNICATIONS HARDWARE . .	3-1
3.1 Installing the Communications Board . . . . .	3-1
3.2 Connecting the Communications Cables . . . . .	3-10
PART 4: SOFTWARE . . . . .	4-1
4.1 Caution . . . . .	4-1
4.2 Known Software Problems . . . . .	4-2



## PART 1: INTRODUCTION

The iSXM8845X Communications Controller and the iDIS Virtual Protocol Machine (iVPM8845) allow you to connect an iDIS system to a remote host using a selection of various communications protocols and types of operation. The capabilities of iVPM8845 are:

- \* Auto-configuration of the communications links at boot time
- \* User configuration at run time of the protocols used
- \* Batch file transfer at up to 9600 baud
- \* Protocols saved on disk and downloadable under user control

The iVPM8845 software resides between the iDIS communication packages, the XENIX operating system, and the iSXM8845X Communications kit; the iVPM8845 software functions as an interface facility for these components.

To execute properly, the iVPM8845 software requires installation of the iDISBASE software on an Intel 286-based, Xenix 3.0 system. Also, it requires installation of one or more of the iDIS communications software packages (iHASP, iRBTE, or i3270 BSC), and the iSXM8845X kit.

Installation procedures for the iVPM8845 feature are in the INSTALLATION manual, which is included with your iDIS system documentation. However, these Release Notes contain installation procedures for the iSXM8845X kit and contain important information on both the iVPM8845 feature and the iSXM8845X kit. For details about the functionality and usage of the iVPM8845 software, refer to the iXTRACT manual, which you received with the iDISBASE software, or to the iDIS i3270 BSC manual.

### NOTE

These Release Notes contain information that supercedes information in the INSTALLATION manual. Please read these Release Notes carefully before you install the iSXM8845X or the iVPM8845 feature.



PART 2: RELEASE CONTENTS

The iSXM8845X Communications kit includes the following:

\* Hardware

iSXM8845X Advanced Data Communications Controller printed circuit board.

Package containing two internal serial I/O cables

Two connector adapter plates with mounting hardware (included in the cable packages)

\* Documentation

iSXM8845X/iVPM8845 Release Notes

The iVPM8845 feature includes the following:

\* Software

iVPM8845 software diskette(s)

\* Documentation

iSXM8845X/iVPM8845 Release Notes

iVPM8845 Software Release Notes





## PART 3: HOST LINK COMMUNICATIONS HARDWARE INSTALLATION

### NOTE

This part contains information that supercedes information in the INSTALLATION manual.

You have two hardware installation tasks:

- \* Installing the iSXM8845X communications board
- \* Connecting the external communication cables

These hardware installation instructions are written for the System 310 chassis used in an iDIS 715 chassis. These instructions apply if your system uses a System 380 chassis, except that you may choose different ports on the back panel. Refer to the System 380 documentation for suggestions.

The INSTALLATION manual states that you must install the iVPM8845 feature before installing the iSXM8845X board. This constraint is no longer true; you can install the iSXM8845X board before installing the iVPM8845 feature.

### Chapter 3.1: Installing the Communications Board

This procedure describes how to install the iSXM8845X host communications board in your system. This procedure consists of four steps:

1. Opening the chassis
2. Inserting the iSXM8845X board
3. Attaching the internal cables
4. Closing the chassis

All required hardware is included with the iSXM8845X board. The iSXM8845X board arrives with the jumpers correctly configured.



You need the following tools to install the iSXM8845X board:

- \* Medium-sized Phillips screwdriver
- \* Small-sized Phillips screwdriver
- \* 3/16-inch nut driver
- \* Needle-nosed pliers
- \* Medium-sized flat-head screwdriver

Use the following procedure to install the iSXM8845X communications board. Note that the procedure differs slightly depending on which back panel you have on your system.

1. If your iDIS system is powered on, shut it down as described in the INSTALLATION manual. Be sure to turn off the AC power switch on the chassis. Also turn off the AC power switch on any terminals connected to the chassis.
2. Disconnect the chassis's AC power cord from the power outlet.

#### WARNING

Never attempt to service the chassis when the AC power cord is connected. Hazardous voltages are present when the AC power cord is connected to a power source.

3. Make a note of where all I/O cables connect to the back panel, then disconnect all I/O cables from the back panel of the chassis.
4. Remove the back panel as shown in Exhibit 3-1.



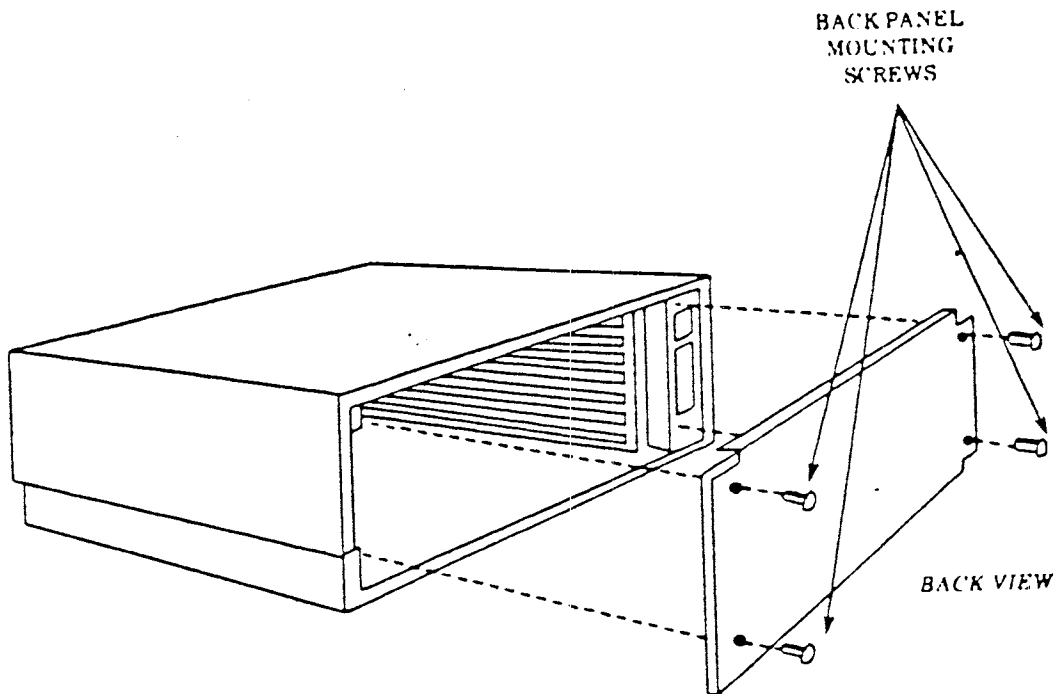


Exhibit 3-1: Back Panel Retaining Screw Location

NOTE

You may also want to disconnect the scrambler board, attached to the top of the back panel, to make it easier to remove the knockouts in the back panel.

5. Make note of where and how the internal cables connect to the back panel and internal circuit boards. Then disconnect any internal cables from the circuit boards.
6. Loosen the two screws that secure the two card clamps to the cardcage as shown in Exhibit 3-2. Then slide the card clamps to the outside to allow the iXM8845X board to be installed in the cardcage.



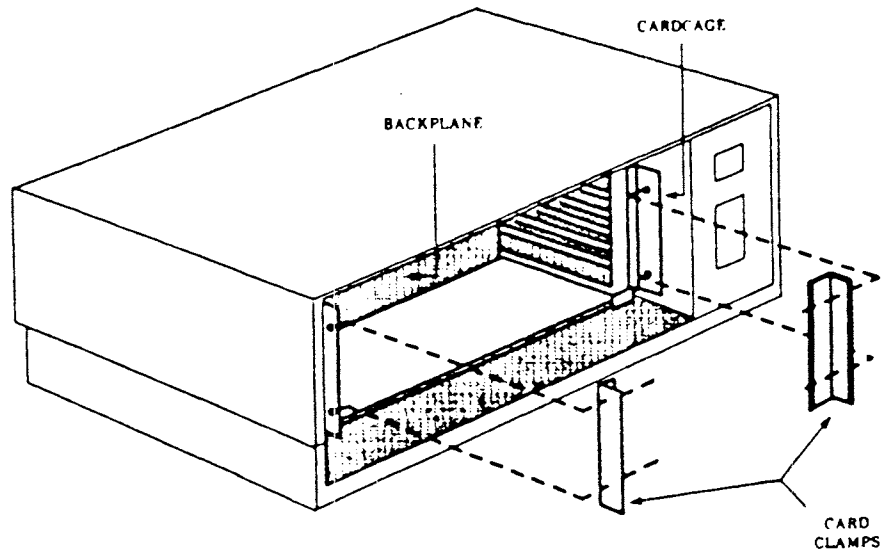


Exhibit 3-2: Card Clamp and Cardcage Location

7. Insert the iSXM8845X board into slot 6 (from the bottom) in the cardcage. Press the board firmly against the backplane to ensure a good contact. If there is another board in slot 6, move the other board into a different slot. The iSXM8845X must be installed in slot 6.
8. Push out the knockouts that cover the holes on the back panel. Loosen a knockout by striking it carefully with a tool such as a screwdriver. Then use pliers to twist the metal completely out, making sure that the small metal tabs also come out. Remove the knockouts according to the type of back panel on your system:
  - a) For the eight-user system back panel, push out J1 and J2 (see Exhibit 3-5).
  - b) For the sixteen-user system back panel, push out J7 and J13 (see Exhibit 3-6).
9. The two adapter plates that come with the iSXM8845X kit are used with the eight-user back panel. These plates have trapezoid-shaped holes cut out of them. Connect an adaptor plate to each port (J1 and J2) with the screws provided so that the short side of the trapezoid is above the longer side.

These adapters are not needed for the sixteen-user back panel.





10. Label both ends of each I/O cable with the same identifier. That is, on cable 1, label both ends with "S0". Label both ends of cable two with "S1".
11. The plastic edge-connector end of each I/O cable has a notch at pin 1. A red stripe along the edge of the cable also identifies the line for pin 1. As you face the rear of the chassis, hold the cable labeled "S0" so the notch faces down and the red line faces left. Connect cable S0 to edge connector S0 of the iXM8845X board (shown in Exhibit 3-3). Connect cable S1 in the same way to edge connector S1 of the iXM8845X board.



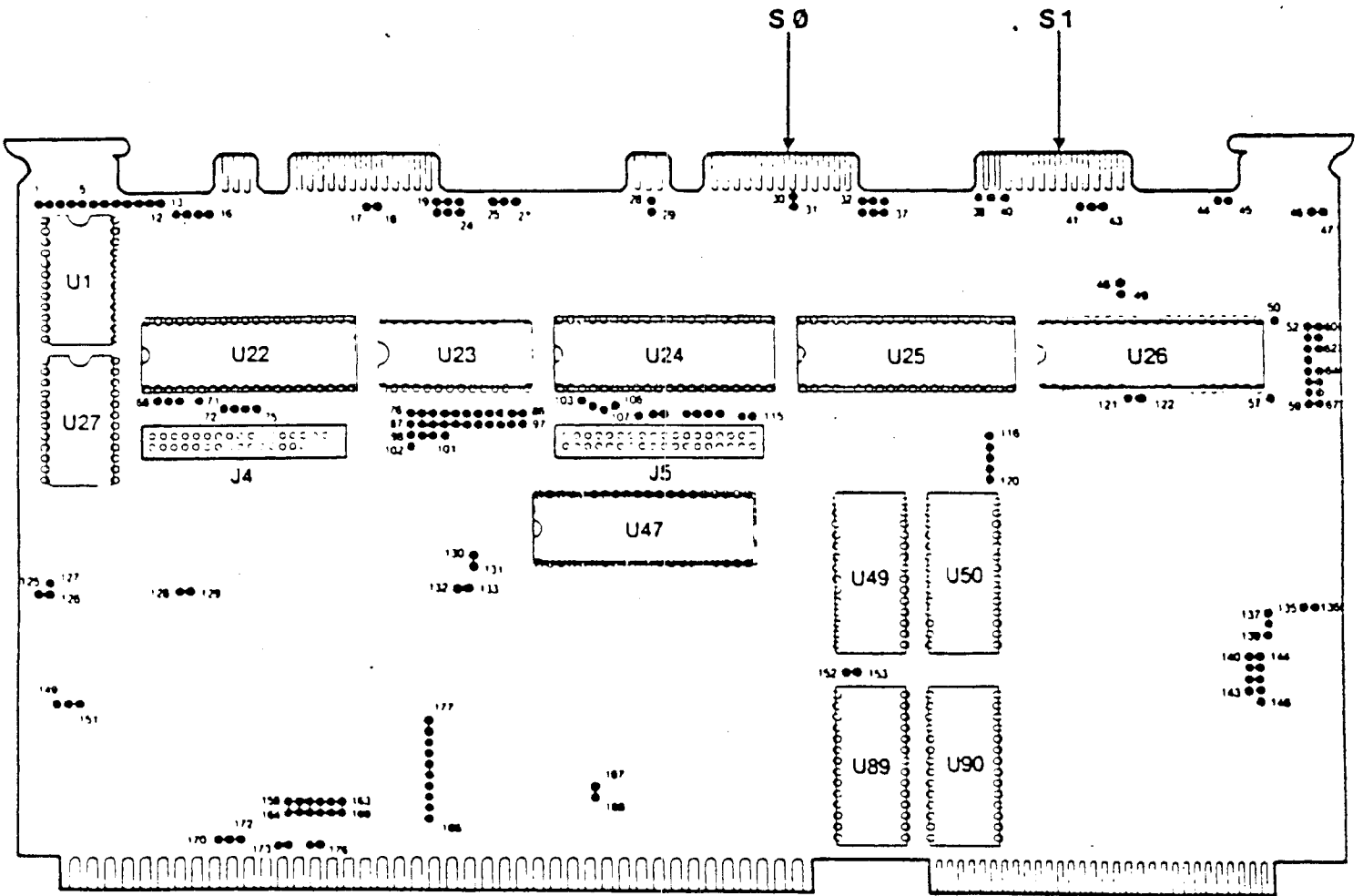


Exhibit 3-3: The iSXM8845X Board



12. Route both cables to the rear of the chassis.
13. Attach the cables to the back panel:
  - a) For the eight-user back panel, attach cable S0 to the adapter plate at port J2 on the back panel with the screws provided, as shown in Exhibit 3-4. Connect cable S1 to the adapter plate at port J1 in the same way. Exhibit 3-5 shows the location of J1 and J2.
  - b) For the sixteen-user system back panel, attach cable S0 to port J7 on the back panel with the screws provided. Connect cable S1 to port J13 in the same way. Exhibit 3-6 shows the location of J7 and J13.

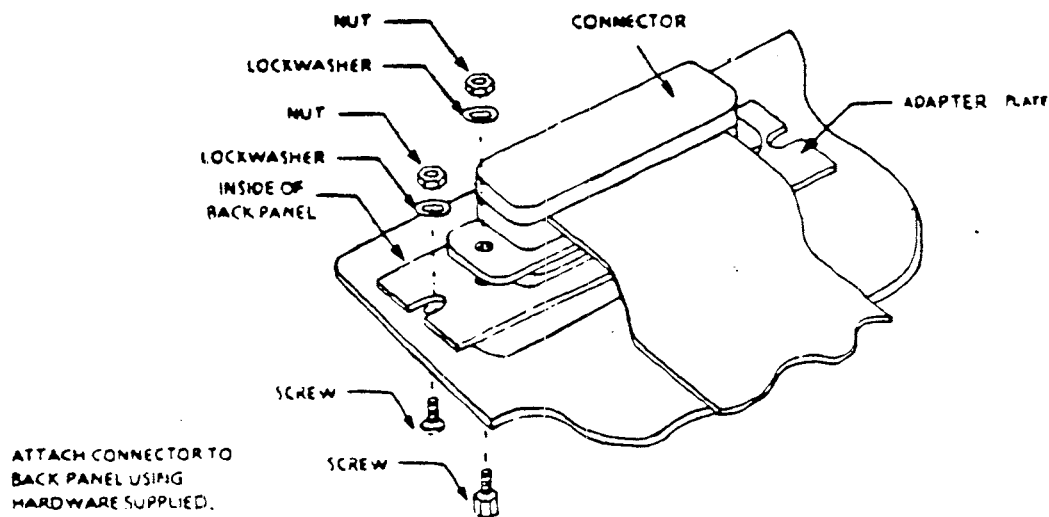


Exhibit 3-4: Attaching Cable Connectors to the Back Panel



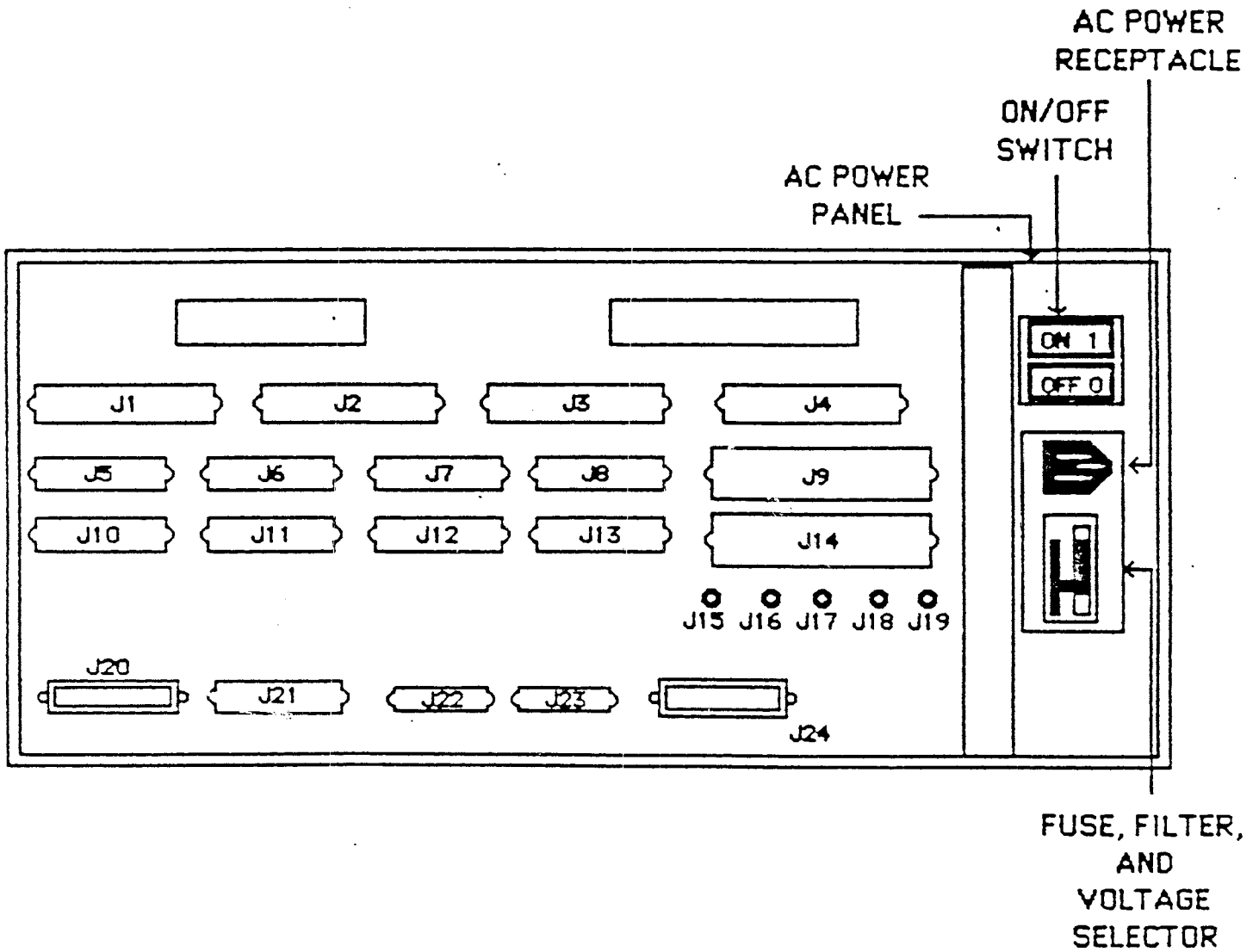


Exhibit 3-5: Outside View of Eight-user System Back Panel





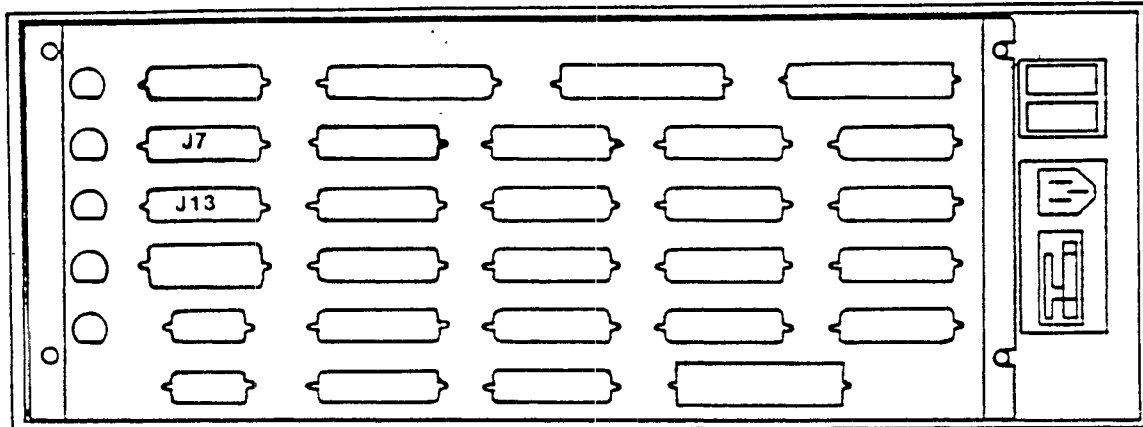


Exhibit 3-6: Outside View of Sixteen-user System Back Panel

14. Replace and tighten down the card clamps.
15. Reconnect any internal cables that you disconnected in Step 5.
16. Reconnect the scrambler board (if you removed it earlier) and replace the back panel.



### Chapter 3.2: Connecting the Communication Cables

Connect the synchronous modem for i3270 BSC communications to J2 (eight-user system) or to J7 (sixteen-user system) by way of a user-supplied modem cable. Modems used for iHASP or iRBTE communications can be attached to either J1 or J2 (eight-user system) or to J7 or J13 (sixteen-user system). Only the cable attached to edge connector S0 supports 3270 communications. This cable should be labeled "s0" and should be connected to port J2 (eight-user system) or to port J7 (sixteen-user system). The Virtual Protocol Machine (iVPM8845) recognizes this cable as /dev/vpm0.

Note: Because the cable connection to the host varies from site to site, the iDIS 715 system does not include a modem cable for host-link communications. In most cases, a 1-to-1 25-pin cable provides the proper connection. The Inmac Corporation provides a suitable cable, Order Number 404-2. The INSTALLATION manual describes the signals sent for each pin of the adapter cable.

1  
2  
3  
4  
5  
6  
7  
8  
9  
10  
11  
12  
13  
14  
15  
16  
17  
18  
19  
20  
21  
22  
23  
24  
25  
26  
27  
28  
29  
30  
31  
32  
33  
34  
35  
36  
37  
38  
39  
40  
41  
42  
43  
44  
45  
46  
47  
48  
49  
50  
51  
52  
53  
54  
55  
56  
57  
58  
59  
60  
61  
62  
63  
64  
65  
66  
67  
68  
69  
70  
71  
72  
73  
74  
75  
76  
77  
78  
79  
80  
81  
82  
83  
84  
85  
86  
87  
88  
89  
90  
91  
92  
93  
94  
95  
96  
97  
98  
99  
100

## PART 4: SOFTWARE

### Chapter 4.1: Caution

Attaching any remote device as a node in a wide-area network is not a simple task. Initial site preparation is critical to the success of the installation. The site should have available a communications engineer who is familiar with the host network configuration (software and hardware) and can provide the following information:

1. Protocol requirements - HASP, 2780, 3780, and/or 3270.
2. Type of connection to the host (e.g. JES2, RSCS, CICS, DOS, etc.).
3. Configuration parameters - line speed, transmission block size, etc.
4. Security requirements - signon and signoff, valid account numbers to access the host, password, etc.
5. If dial-up, the phone number to call.
6. The path on which the line is connected. For example, iDIS to 3705 port 3A connected to VM, connected to MVS as line 34 which is associated with line 6.



## Chapter 4.2: Known Software Problems

This chapter lists the known software problems in iVPM8845. The number at the end of each problem description refers to the Intel internal tracking number. This number may be useful when you call the Systems Support Group.

1. Rebooting after iVPM8845 is installed but before installing i3270 BSC, means that no scripts are loaded and /usr/lib/vpm/vpm.rc is not executed. (2007)

